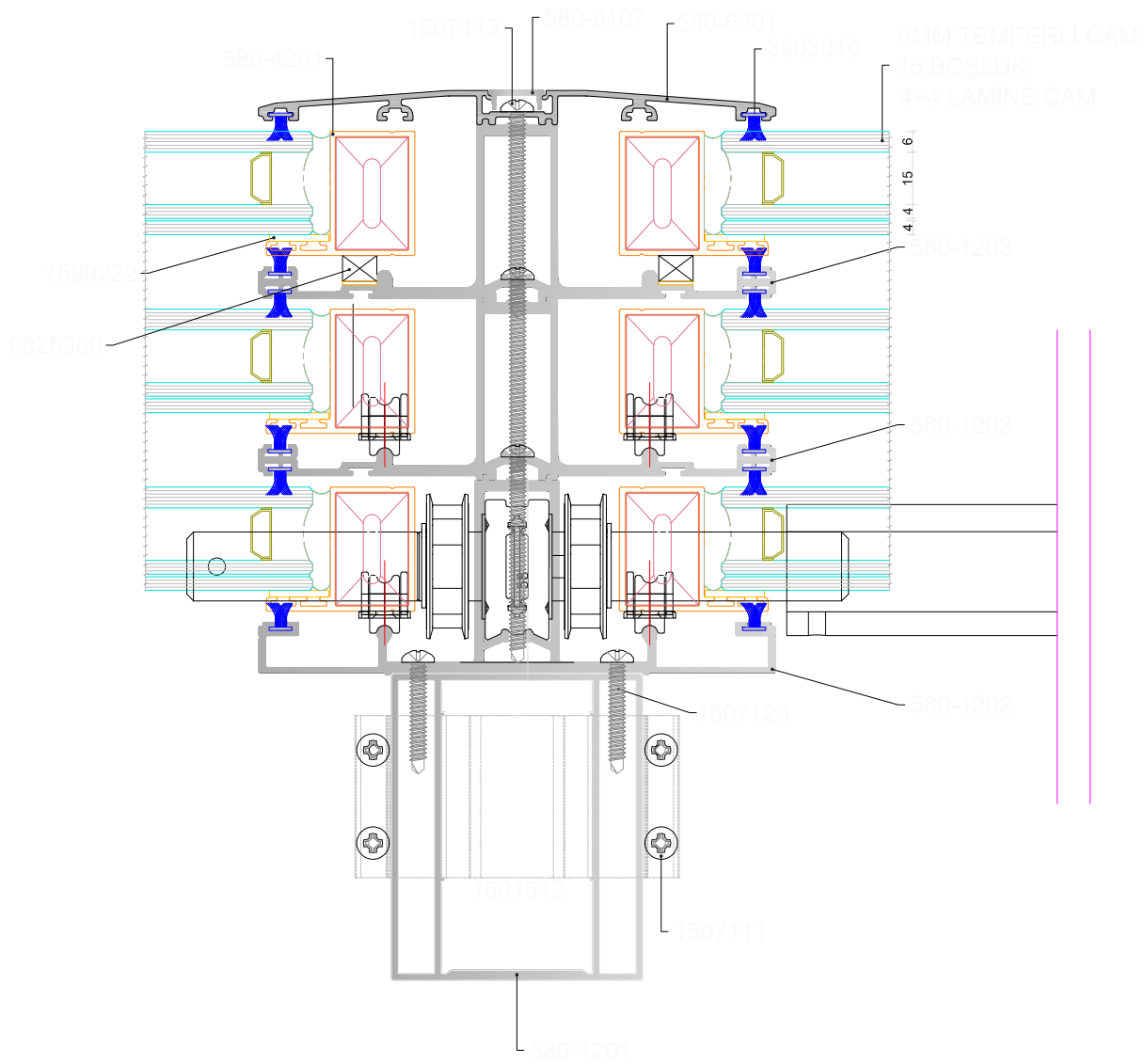


# DYNAMIC

Retractable Glass Roof System

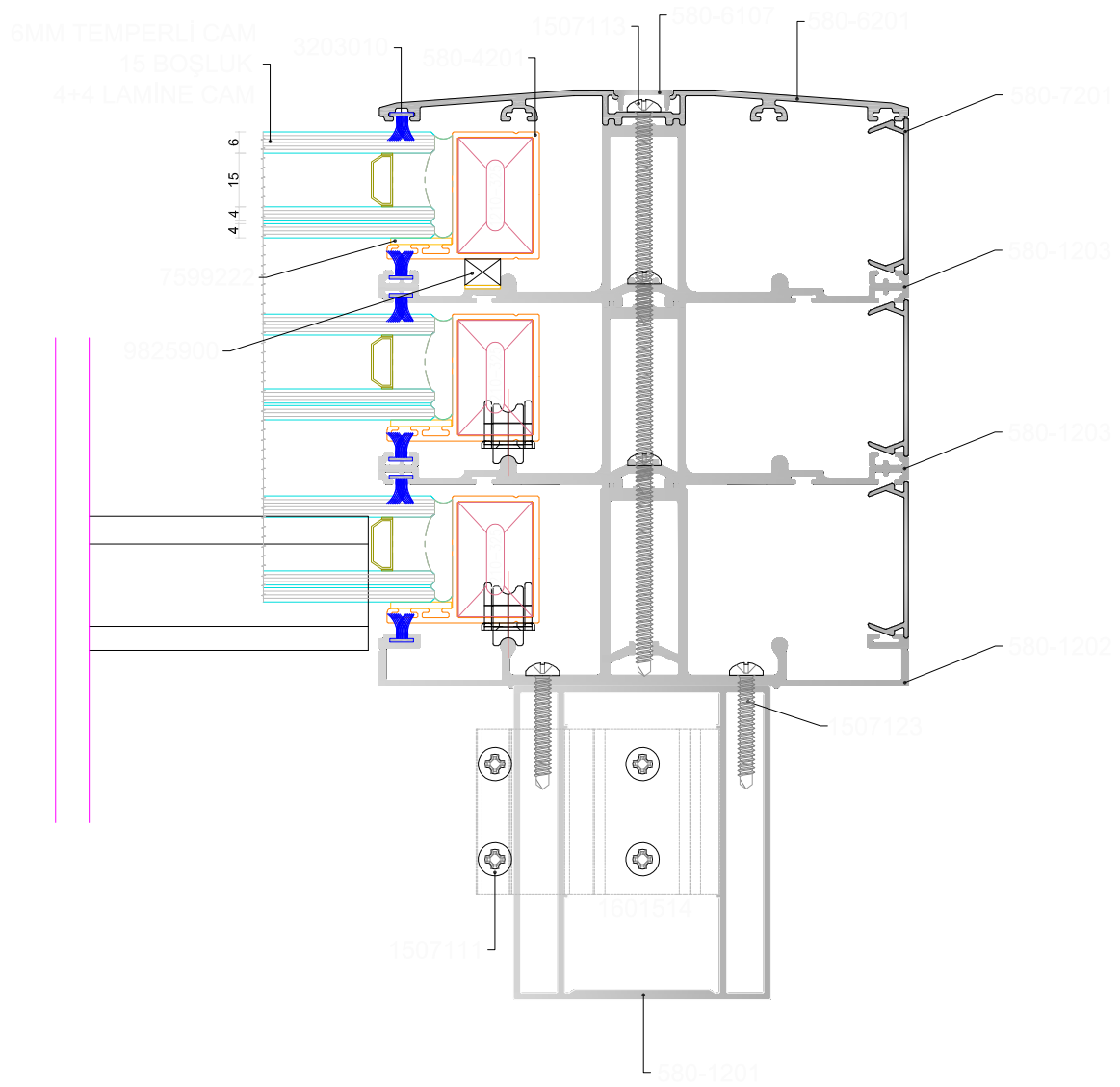


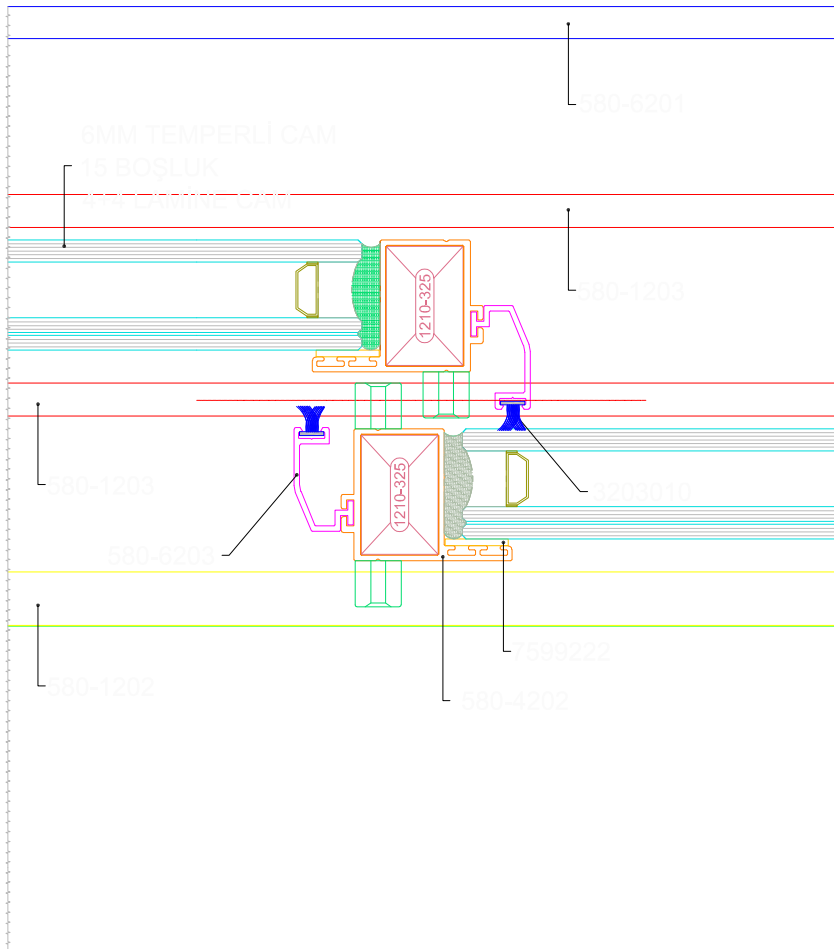
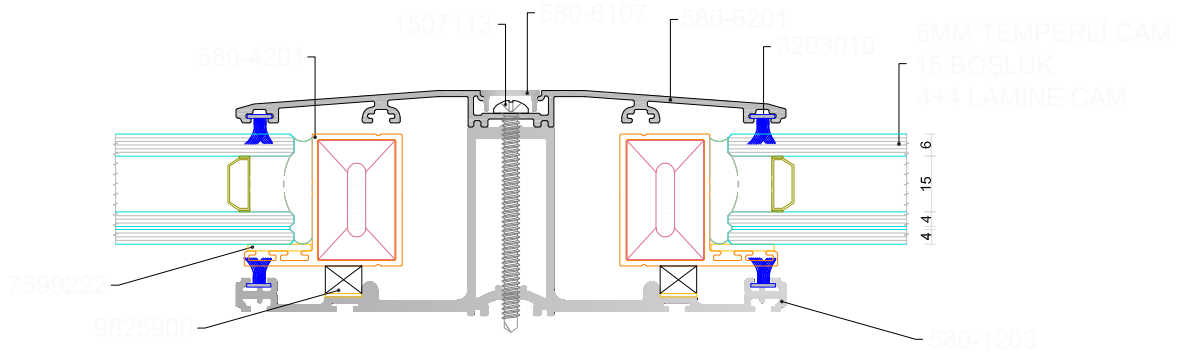
(855) 620-3010 | [info@schldr.global](mailto:info@schldr.global) | [schldr.global](https://schldr.global)

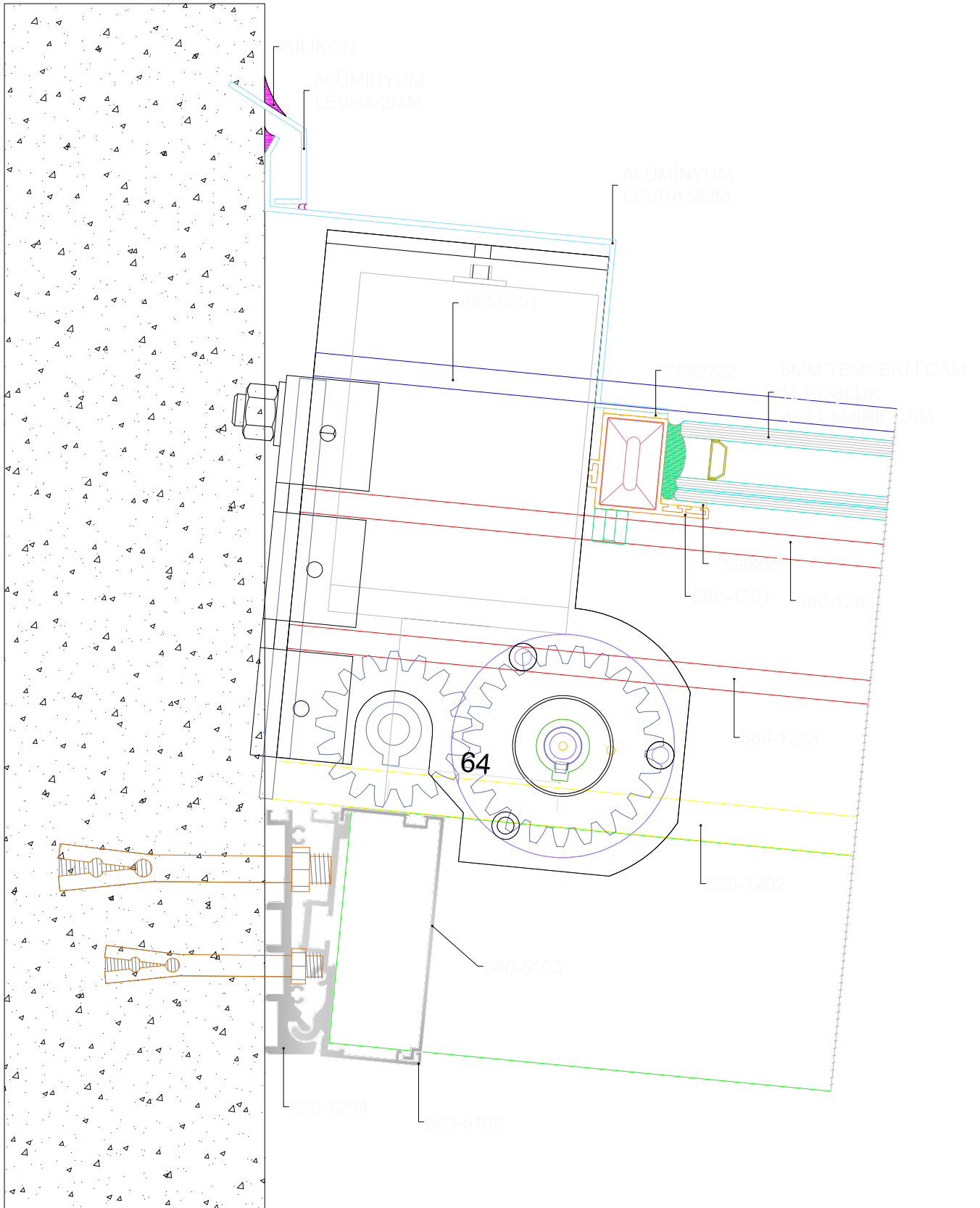


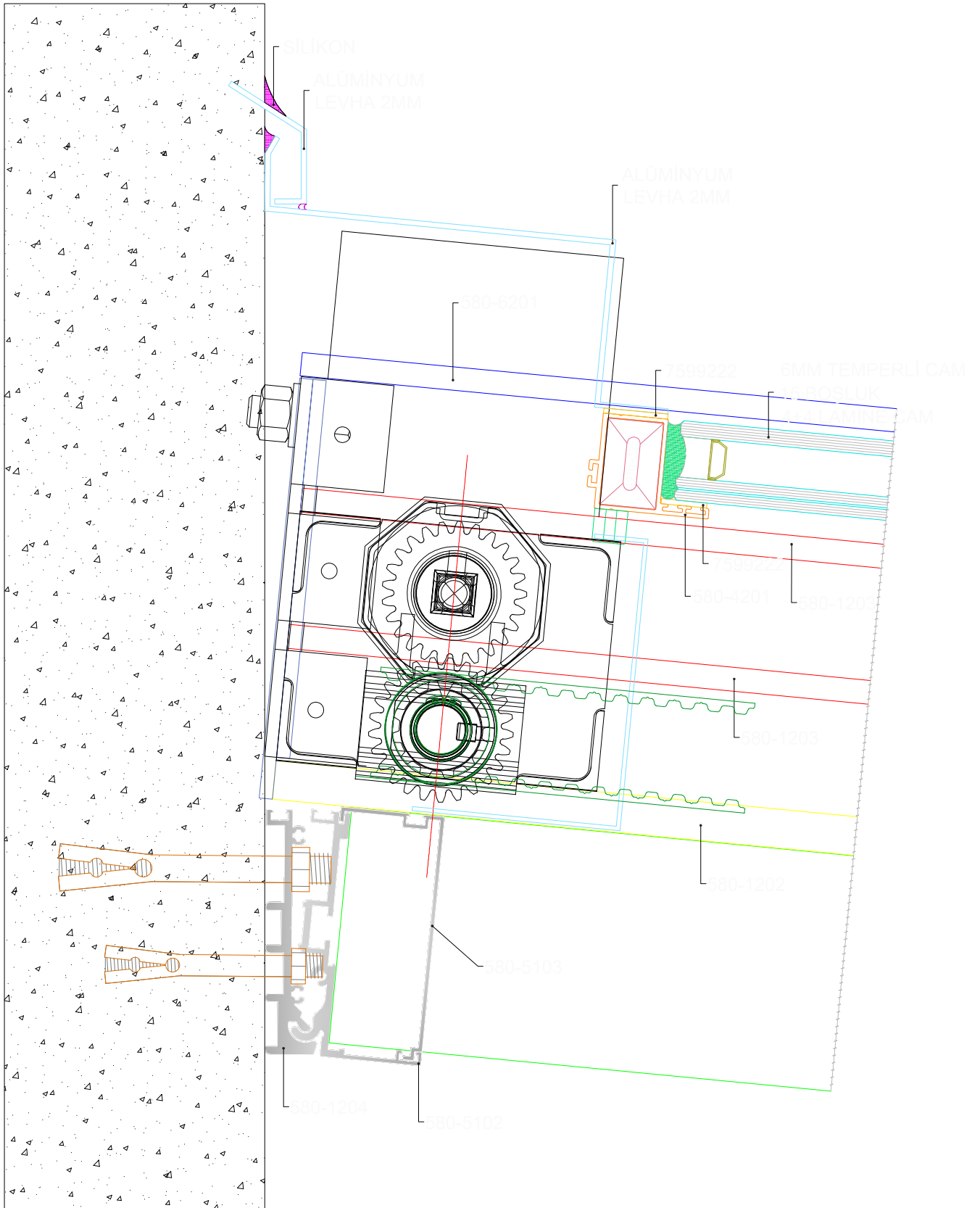
# DYNAMIC

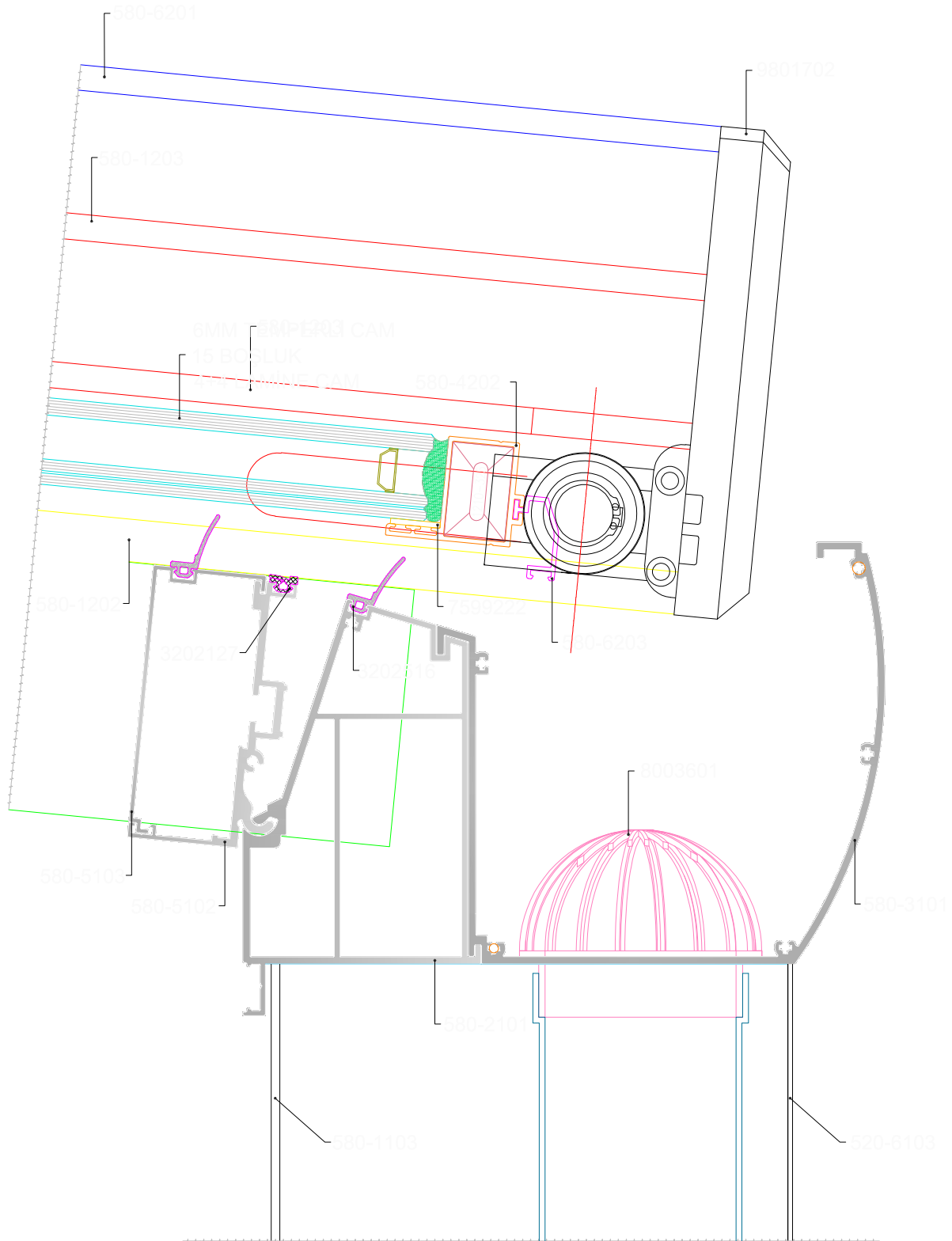
Retractable Glass Roof System

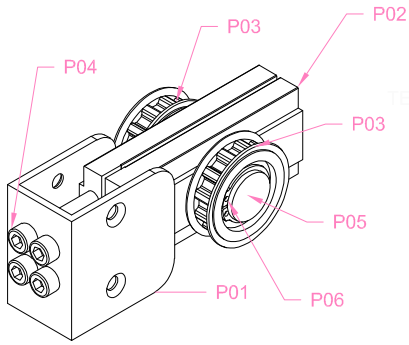






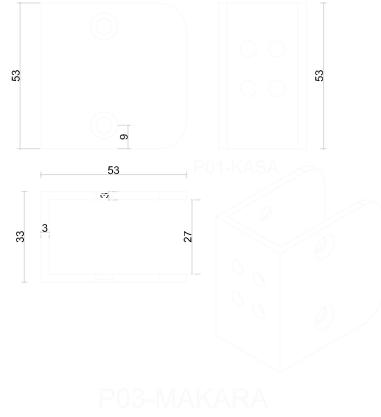




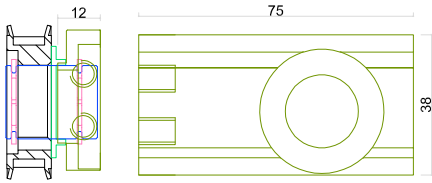
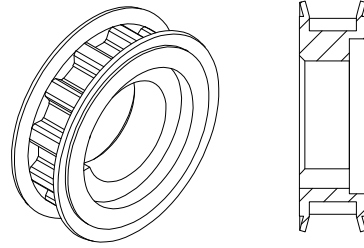


TENSIONING PART MIDDLE

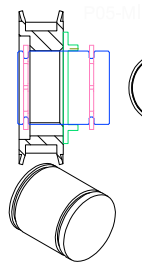
- P01-KAÇA
- P02-KIZAK
- P03-MAKARA
- P04-NEPELÜVATA
- P05-MİL
- P06-SEGMAN



P03-MAKARA

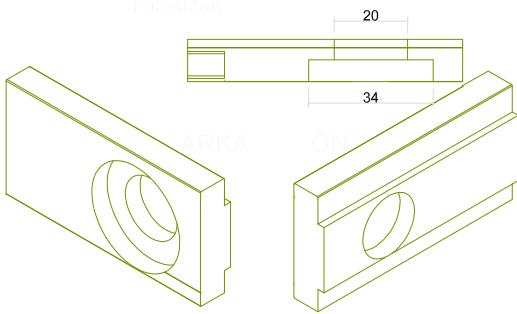


P01-KAÇA



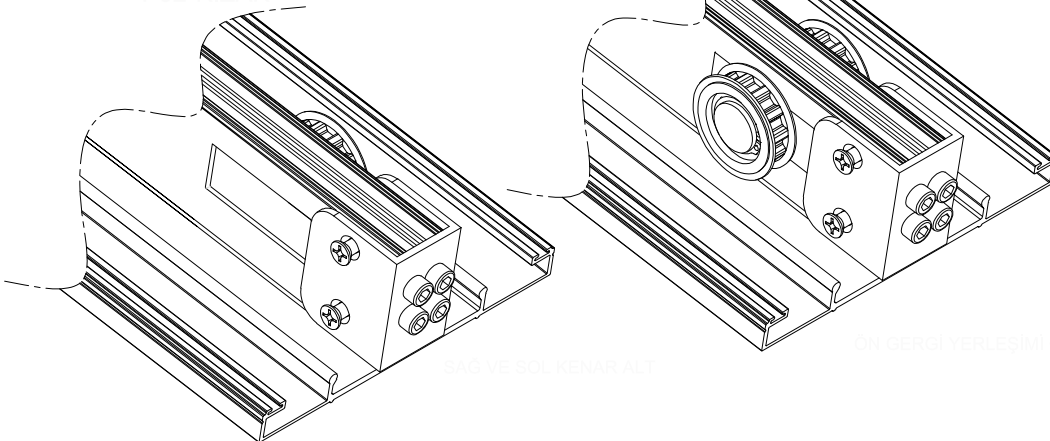
P05-MİL

ALT PAY ON FREZE DETAYI



P04-NEPELÜVATA

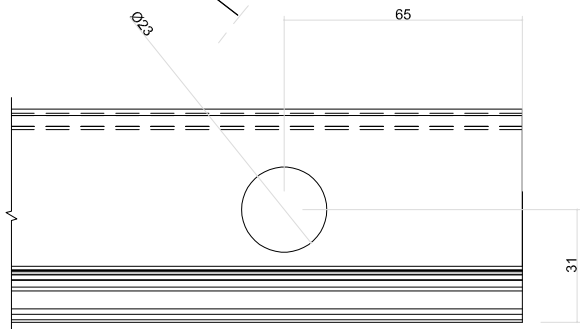
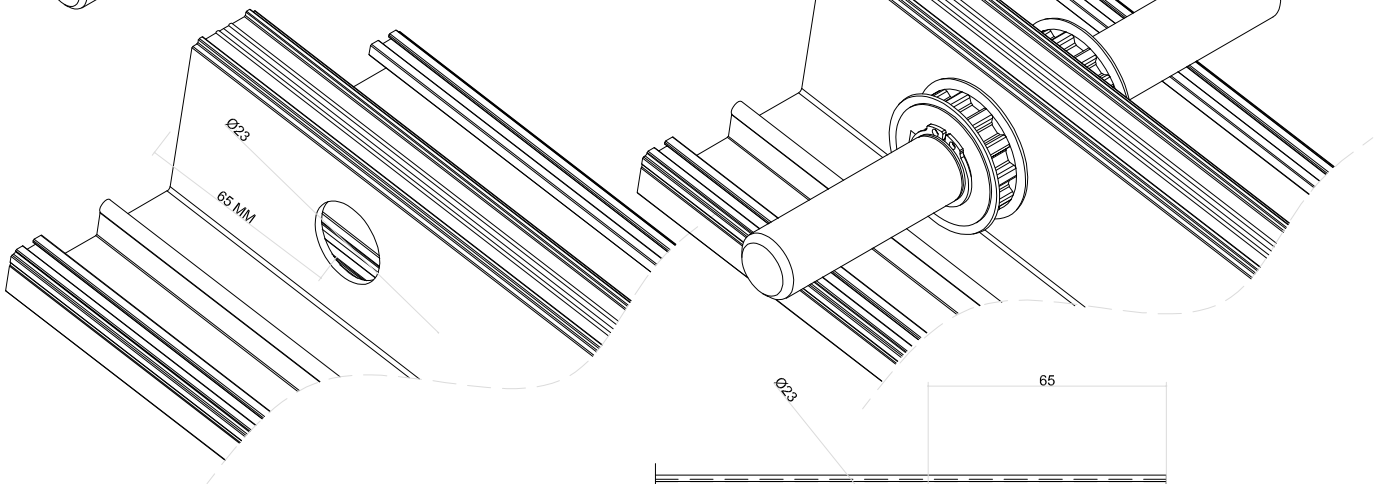
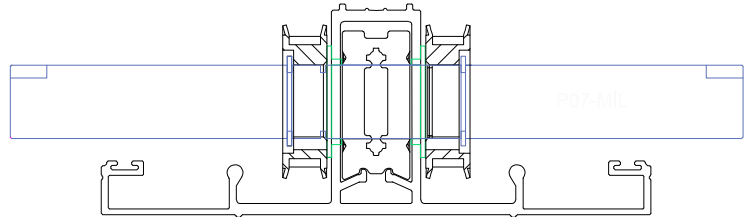
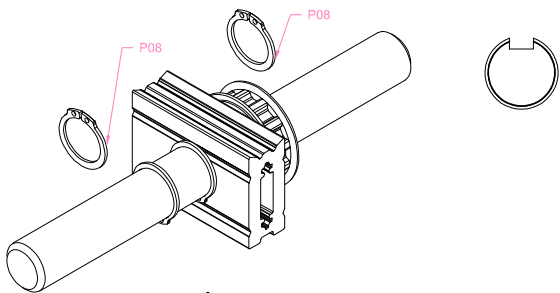
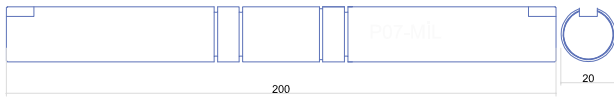
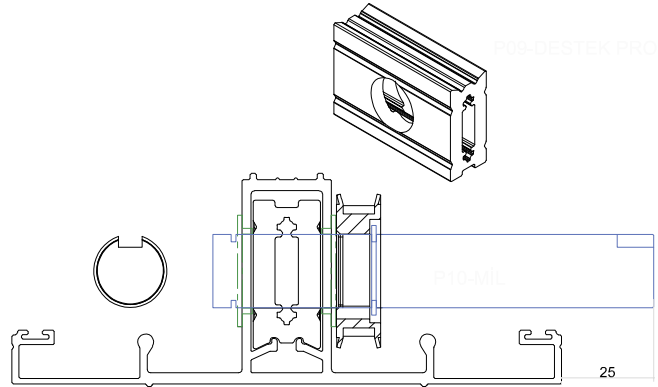
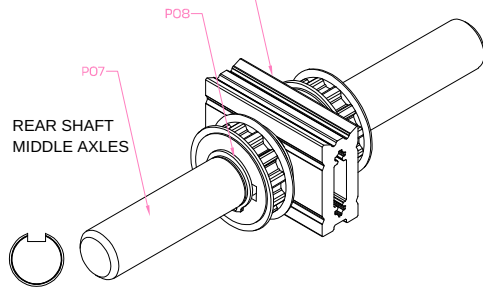
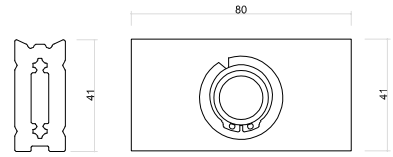
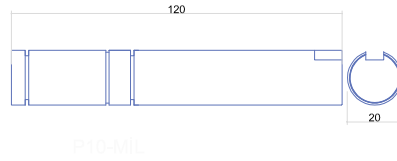
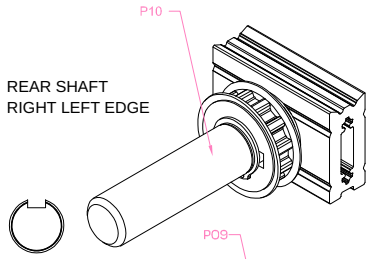
P02-KIZAK

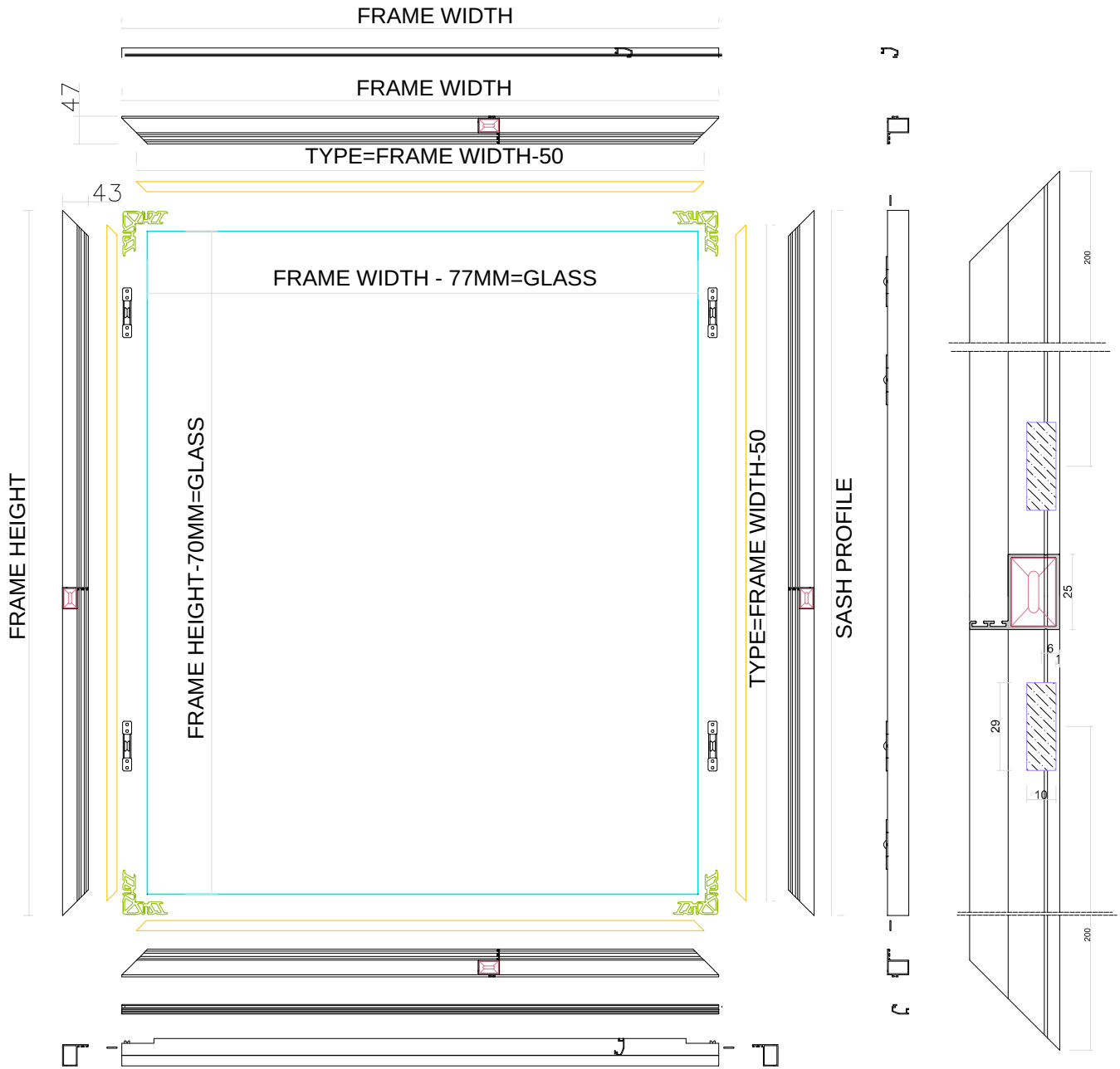


ÖN GERİ YERLEŞİM DETAYI

ÖN VE SOL KEMAR ALT



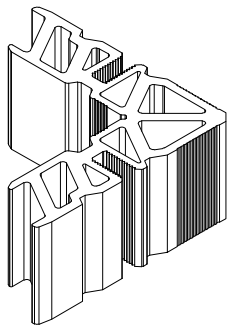
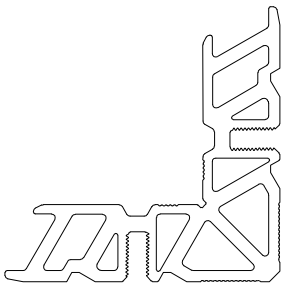
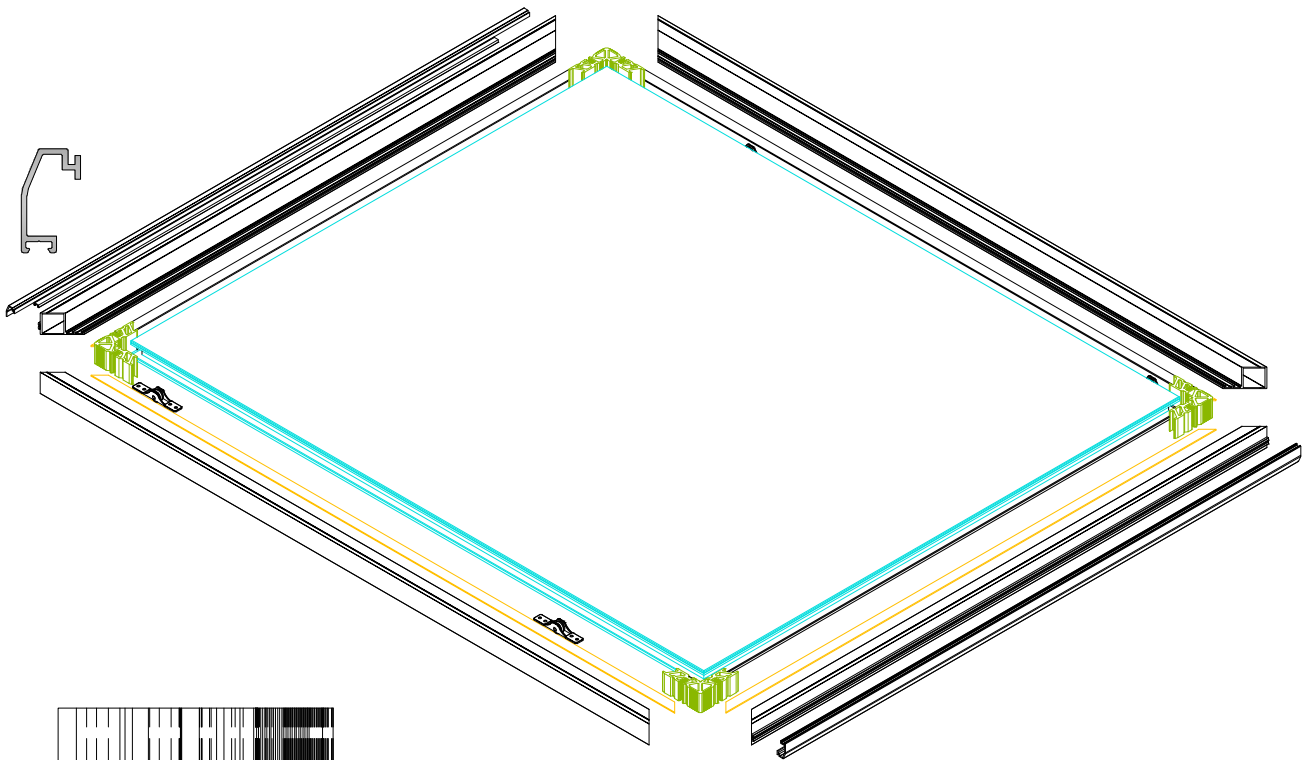
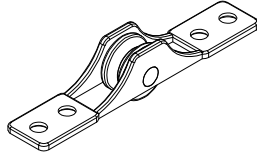
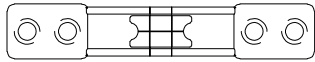


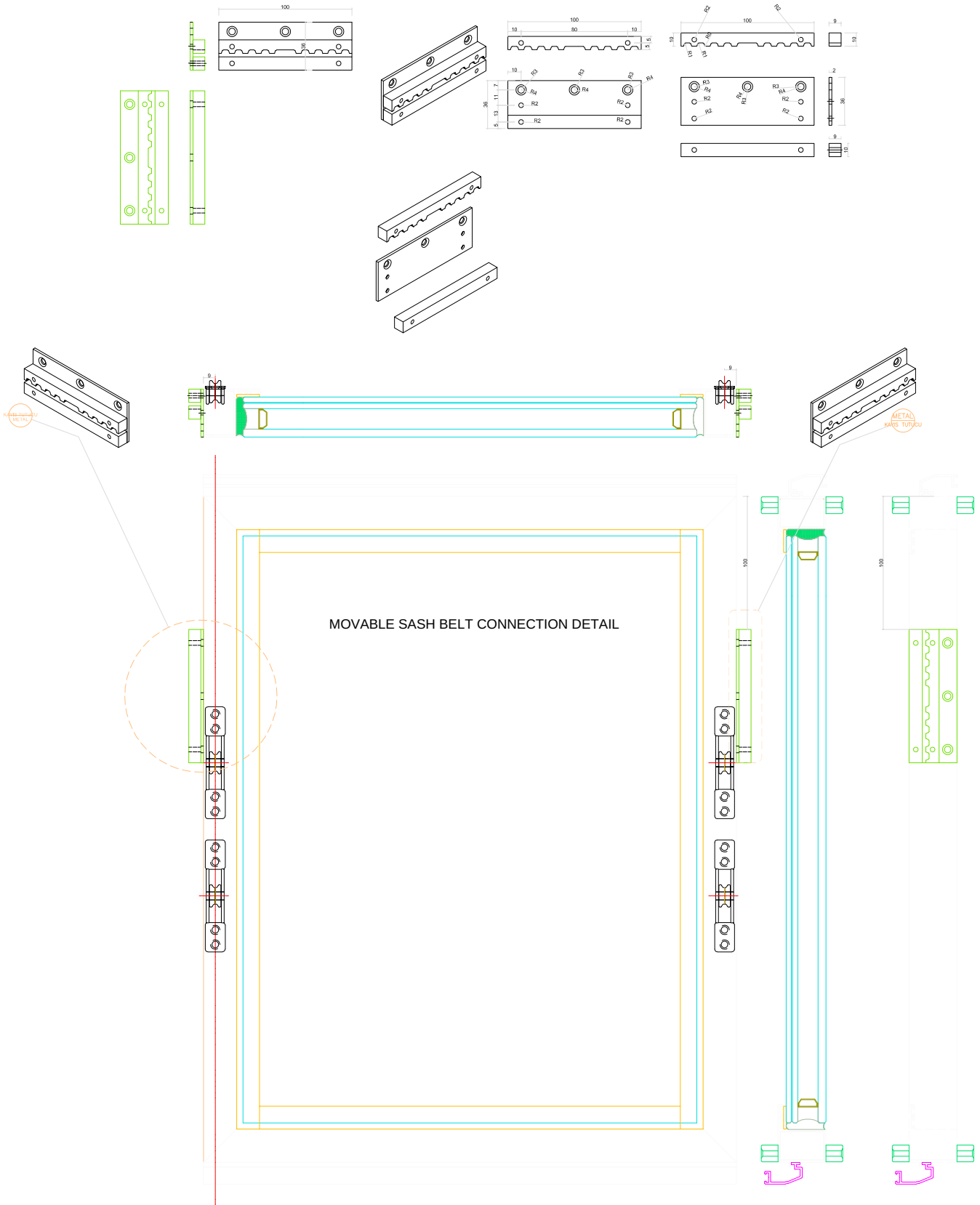


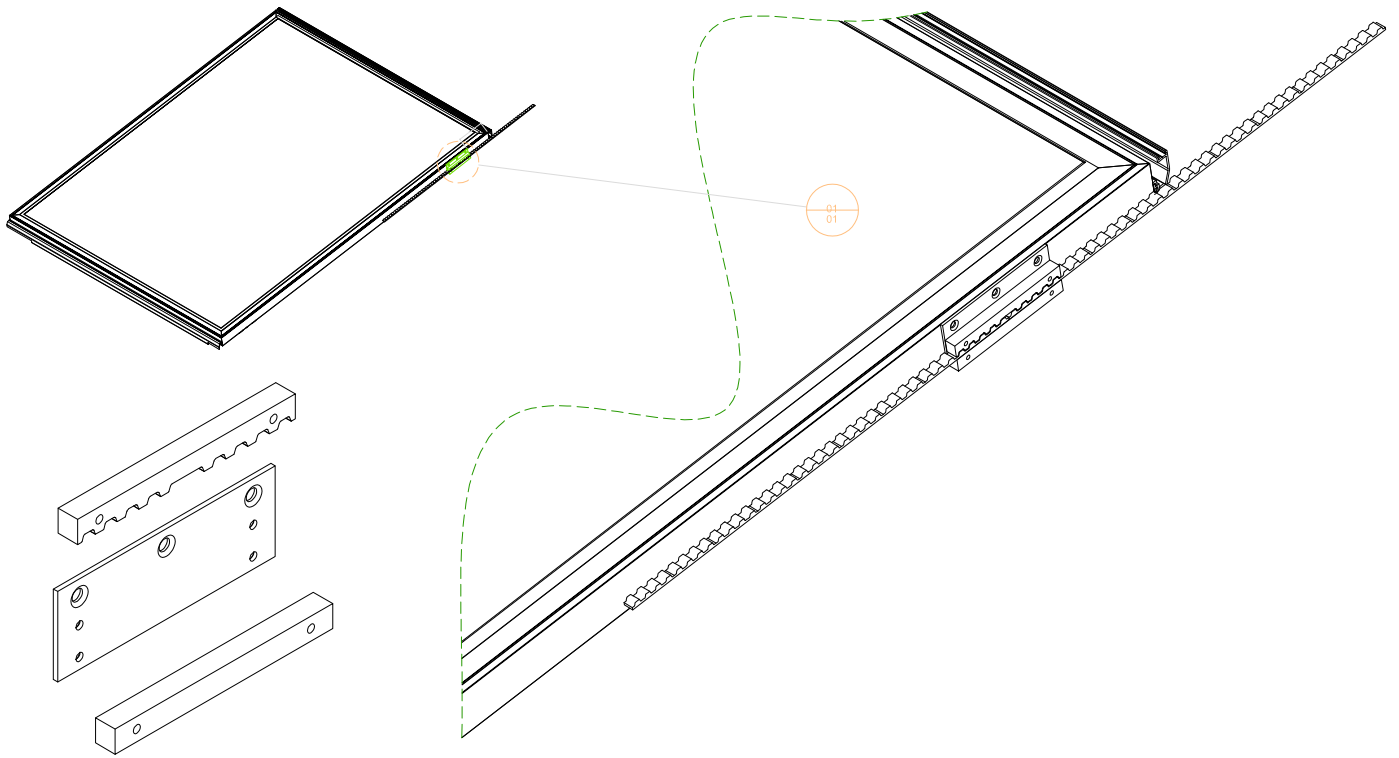


# DYNAMIC

Retractable Glass Roof System



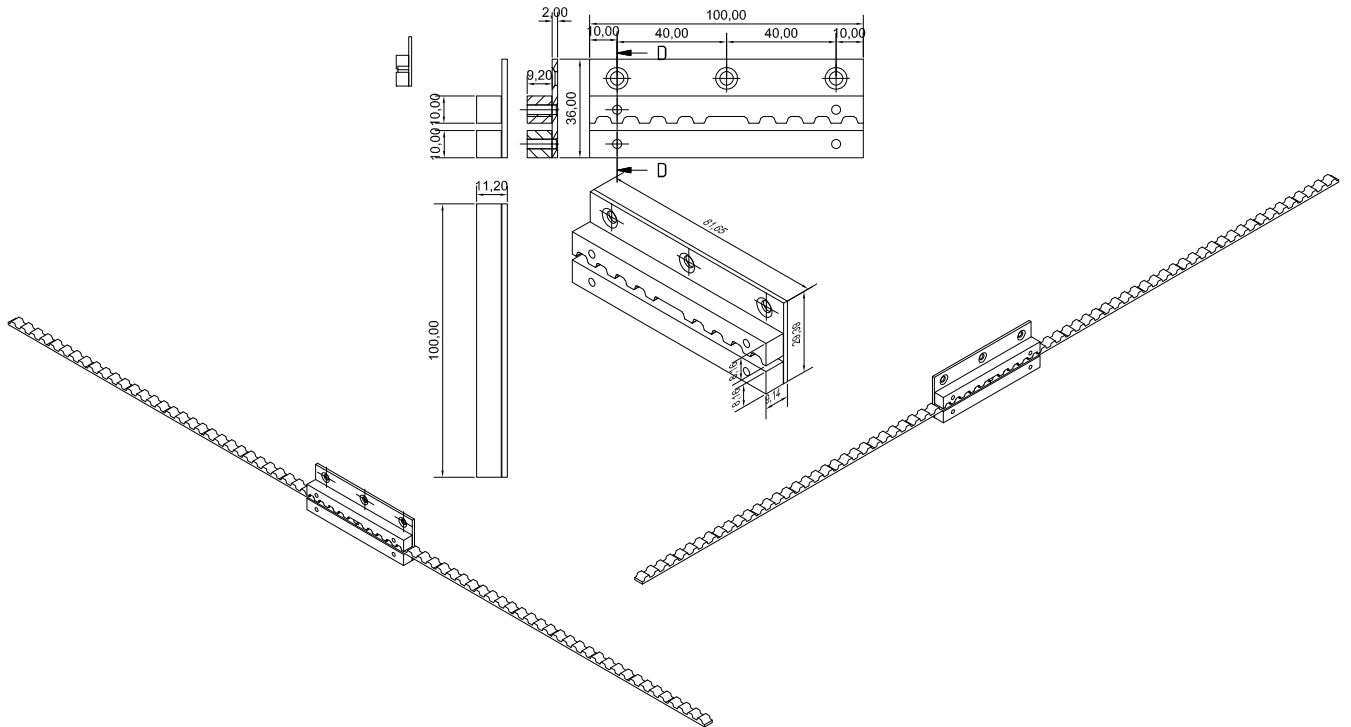
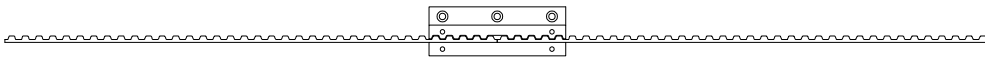




B (1:2)

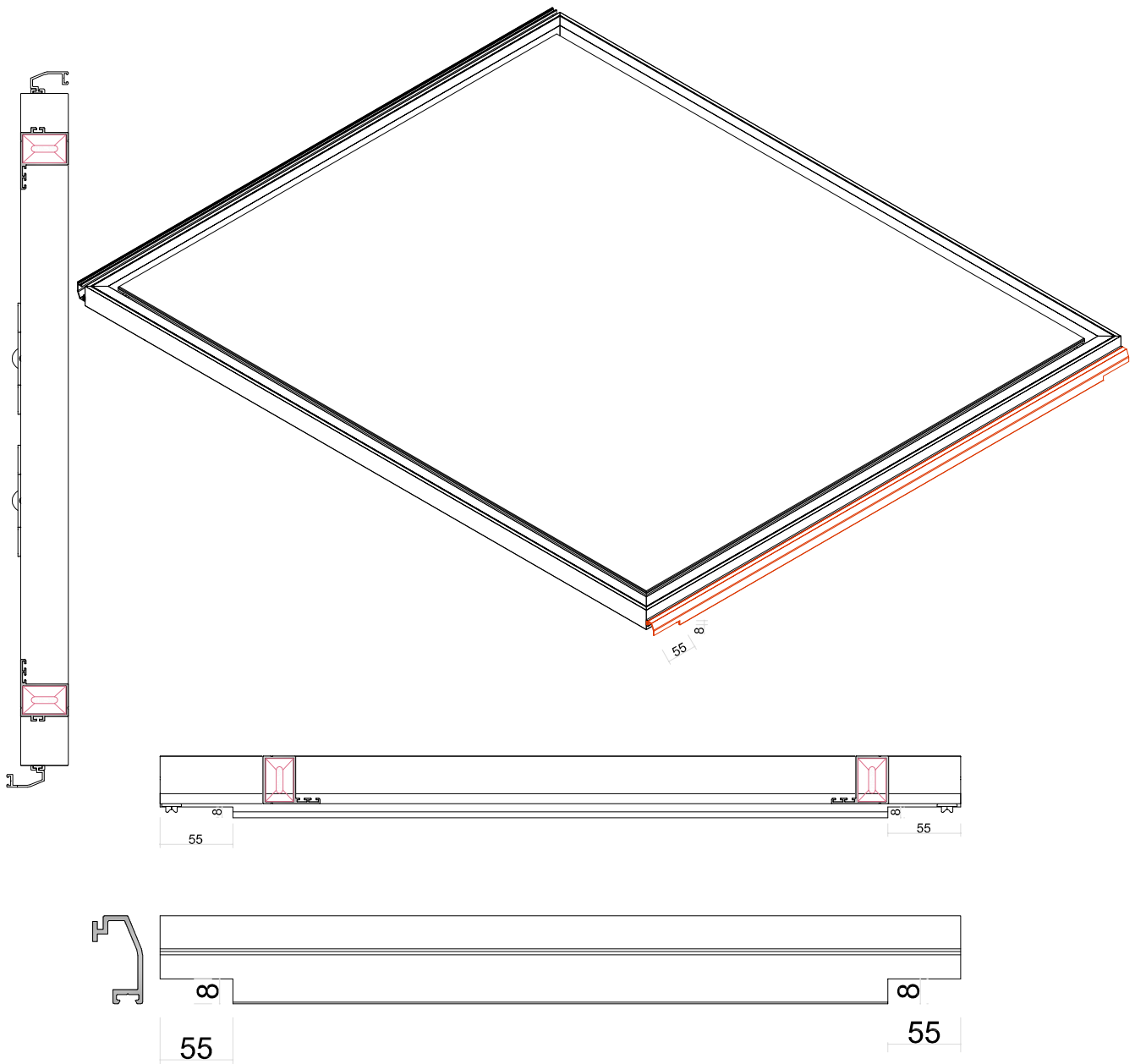


A (1:2)



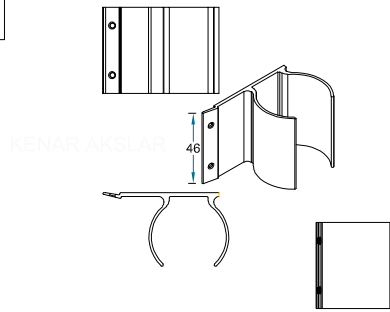
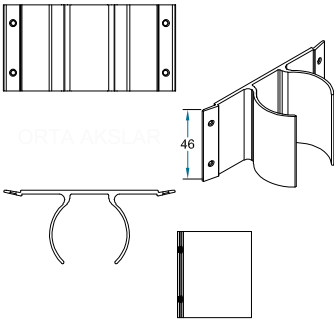
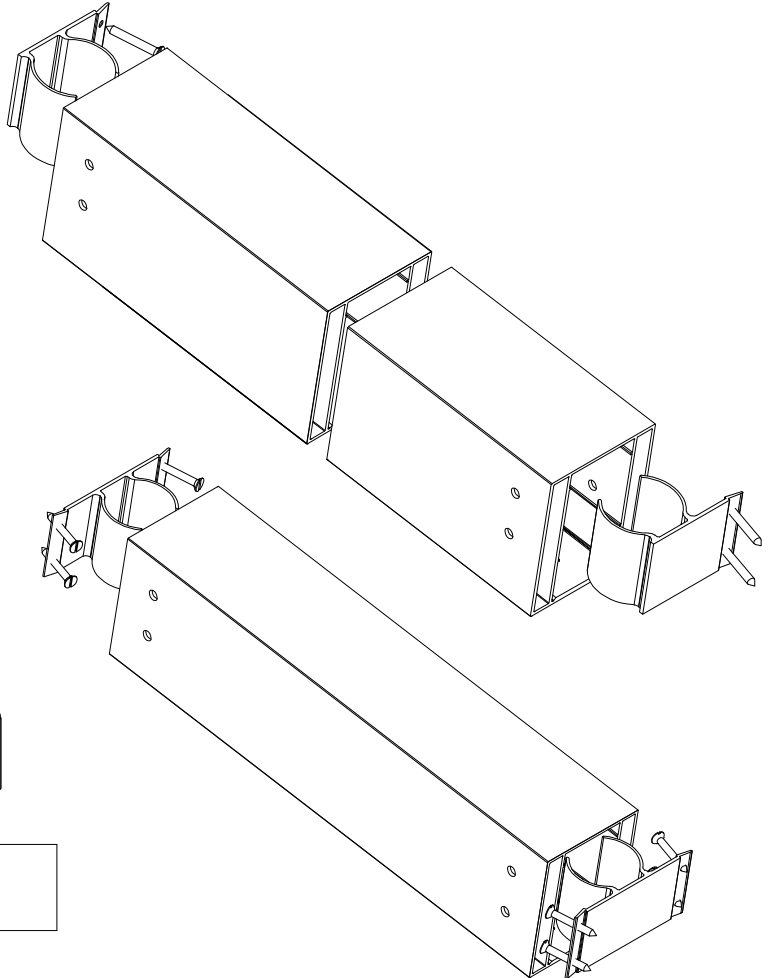
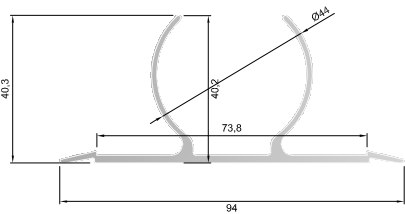
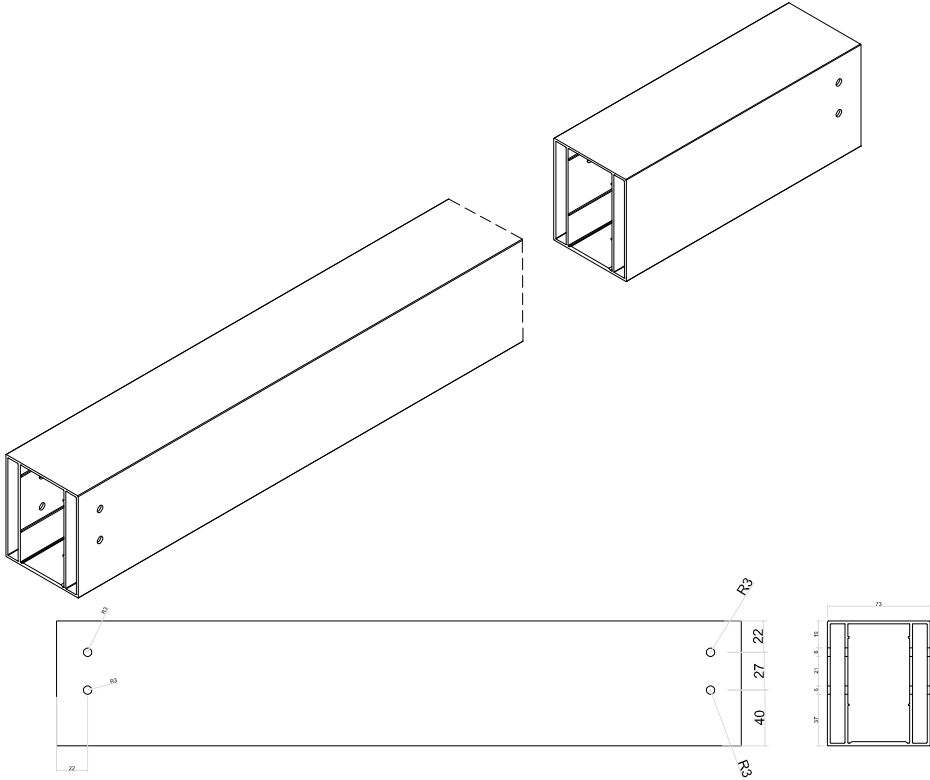
# DYNAMIC

Retractable Glass Roof System



# DYNAMIC

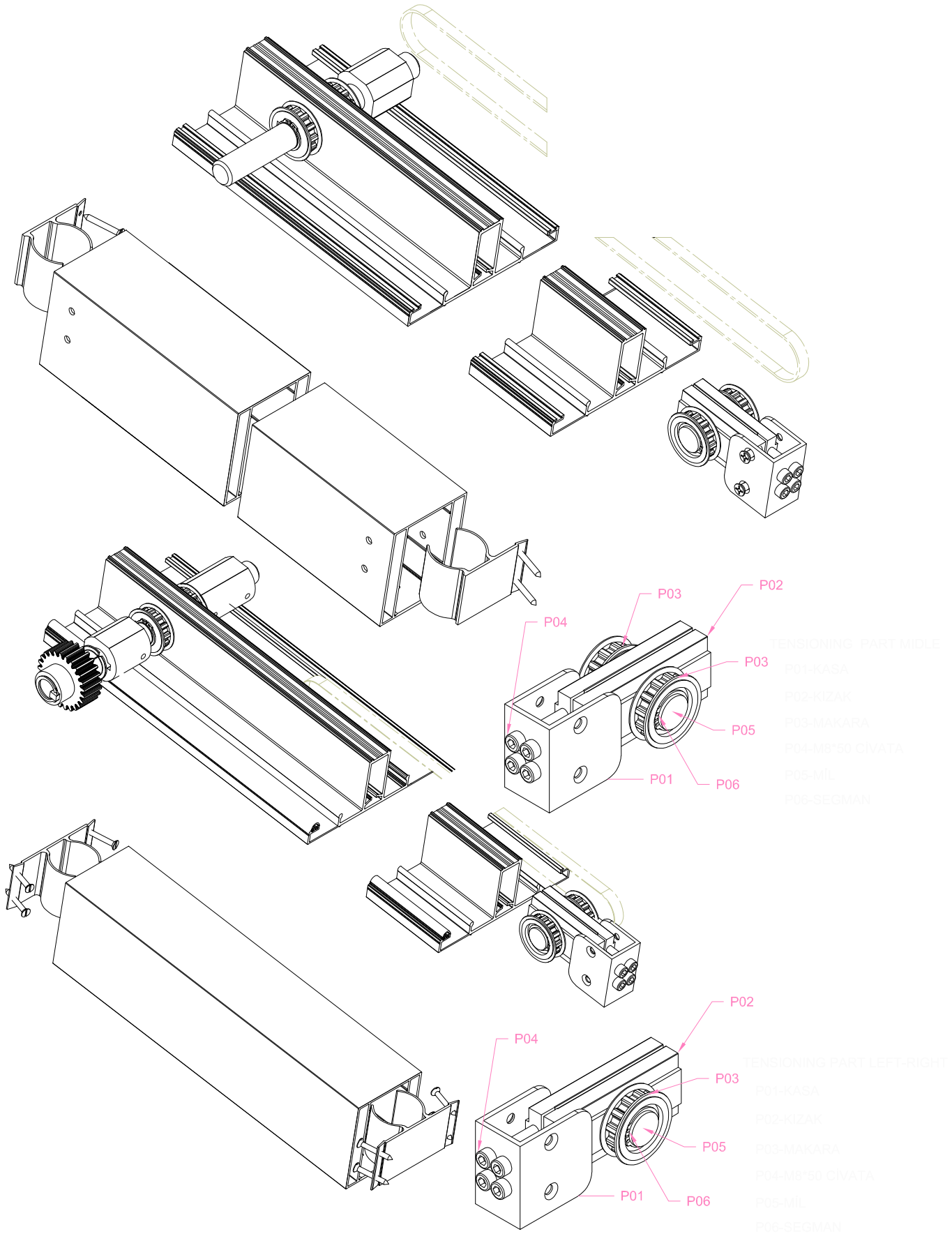
Retractable Glass Roof System



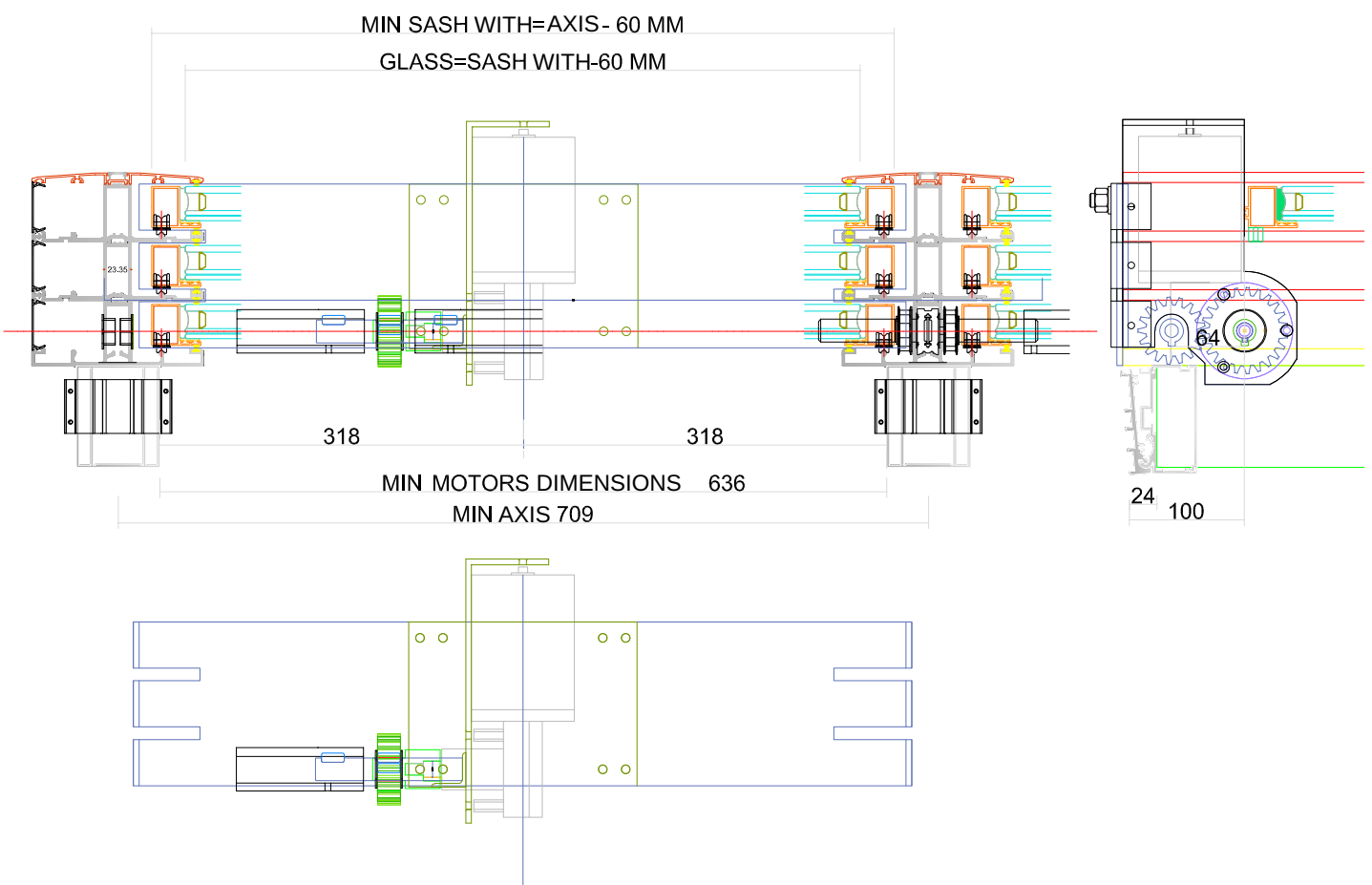


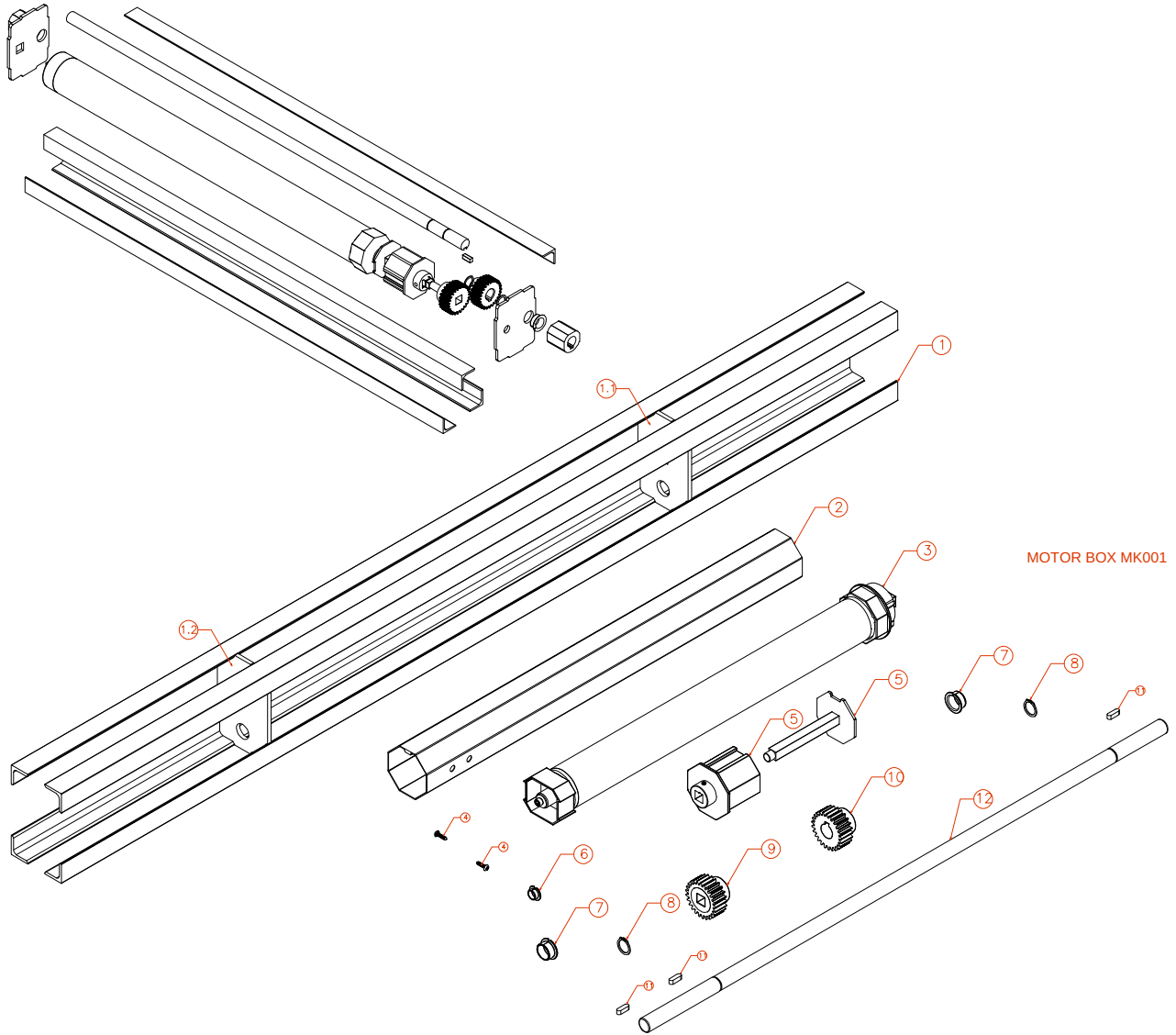
# DYNAMIC

Retractable Glass Roof System





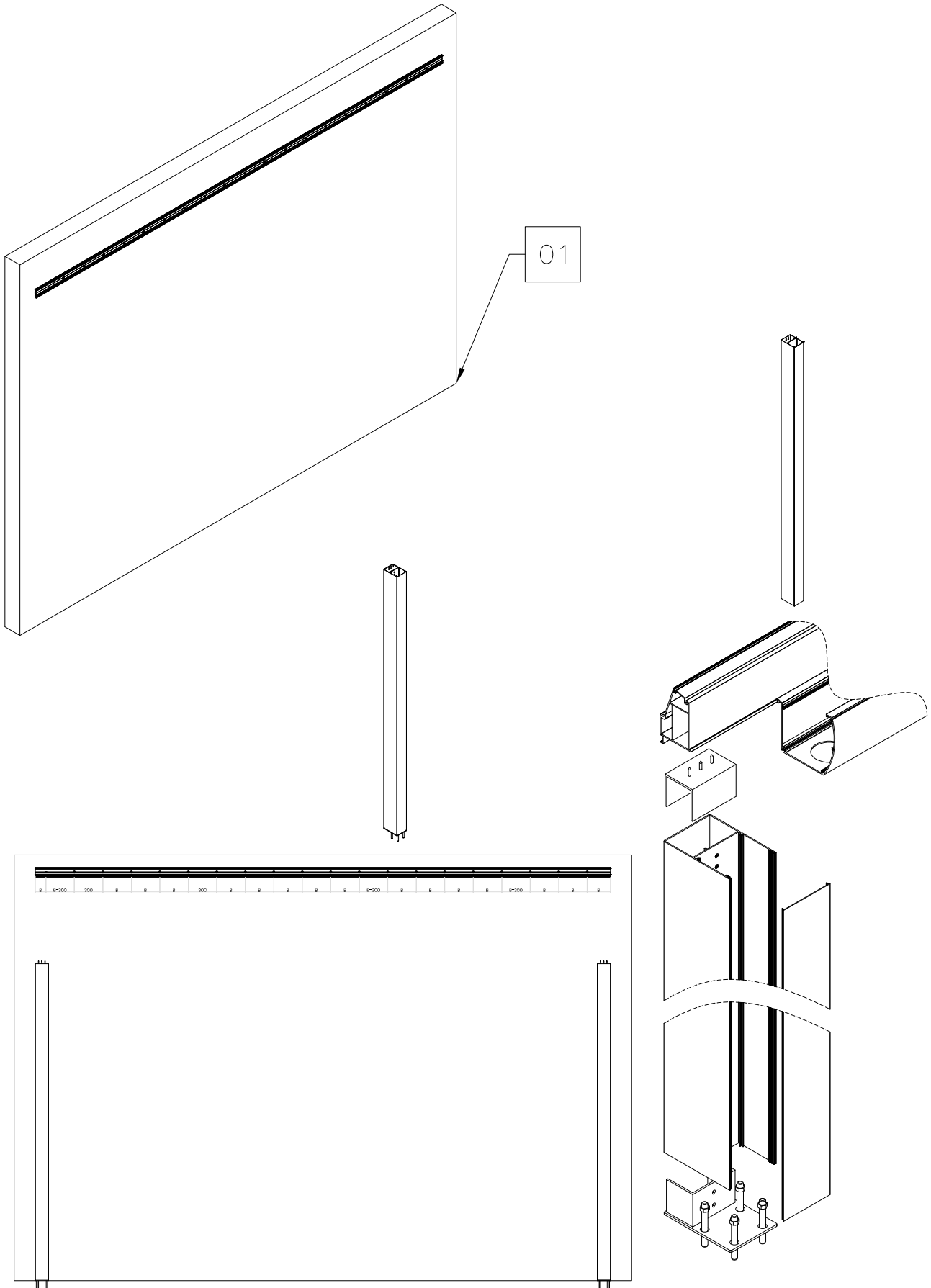




Poz	Name	Pieces	Material	Stock No
1	L Angle 30x30x3mm 1,5mm	4	Steel electrostatic paint	1609401
1.1	Motor side cap retriangle sheet	1	Steel electrostatic paint	9516910
1.2	Motor side cap	1	Steel electrostatic paint	9516911
2	70's galvanize pipe	1	1,3mm Gal. sheet 670mm	9512106
3	Shetter motor	1	120 N/m 11 rpm	9501004
4	Drilling screws	2	Steel galvanize	1501129
5	Adjustable axle pipe head	1	Steel galvanize	9516103
6	Burç 12x7mm	1	Bronze	9507103
7	Burç 20x11,5mm	2	Bronze	9507101
8	DIN 471A 20x1,2mm A2 Mil segmenti 20mm	2	Inox	9516308
9	Retrangle gear M2 / 25	1	Aluminum	9506504
10	20's gear M2 / 25	1	Aluminum	9506503
11	Wedge 20x6mm	3	Inox	9501303
12	Shaft 20x80mm	1	Steel	9516912

# DYNAMIC

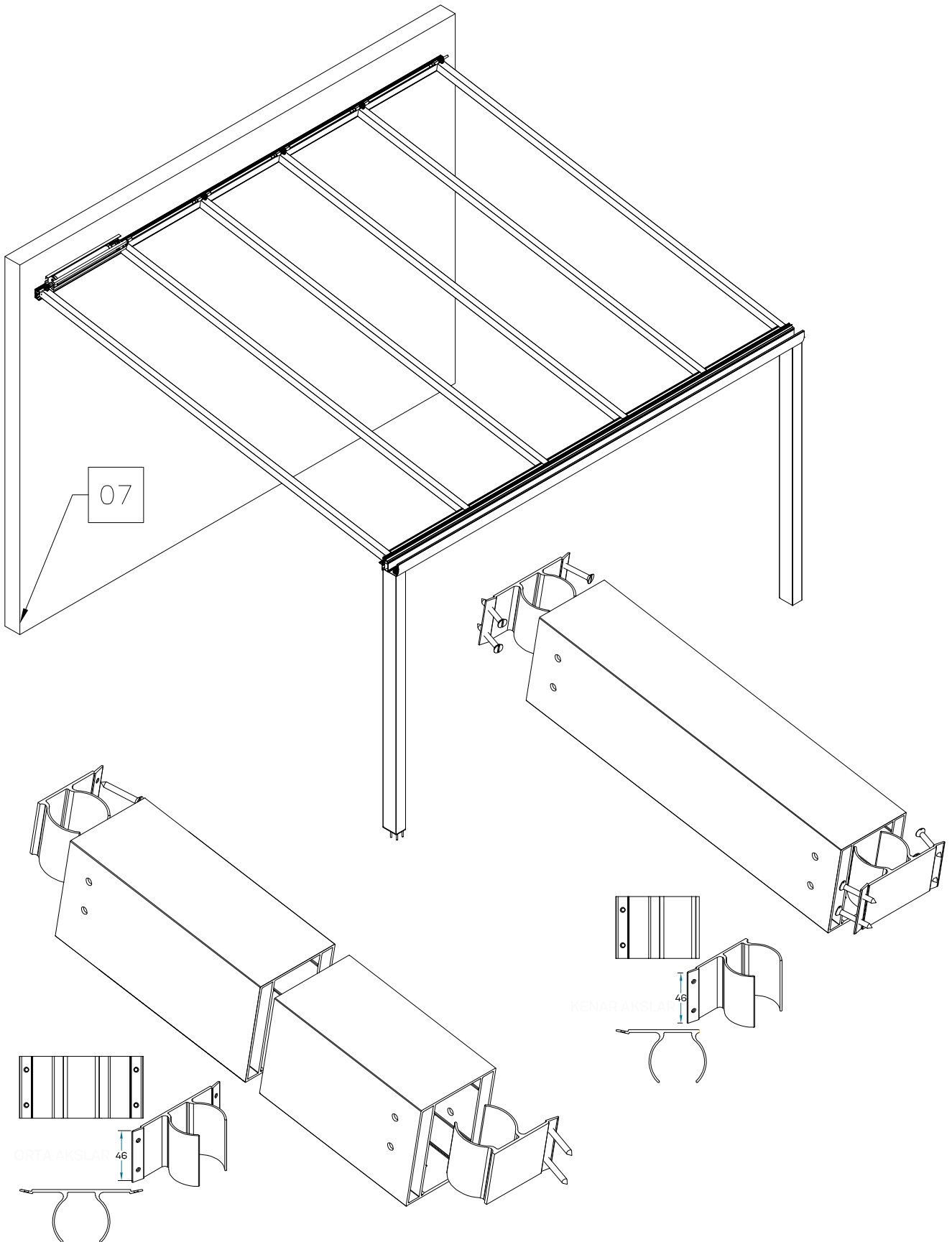
Retractable Glass Roof System





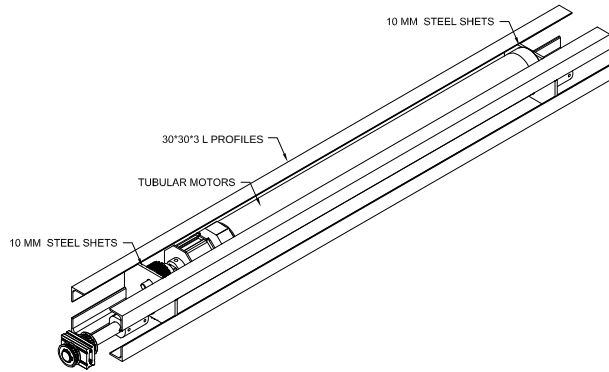
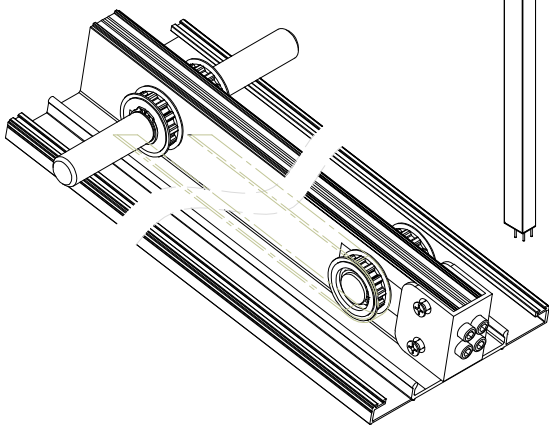
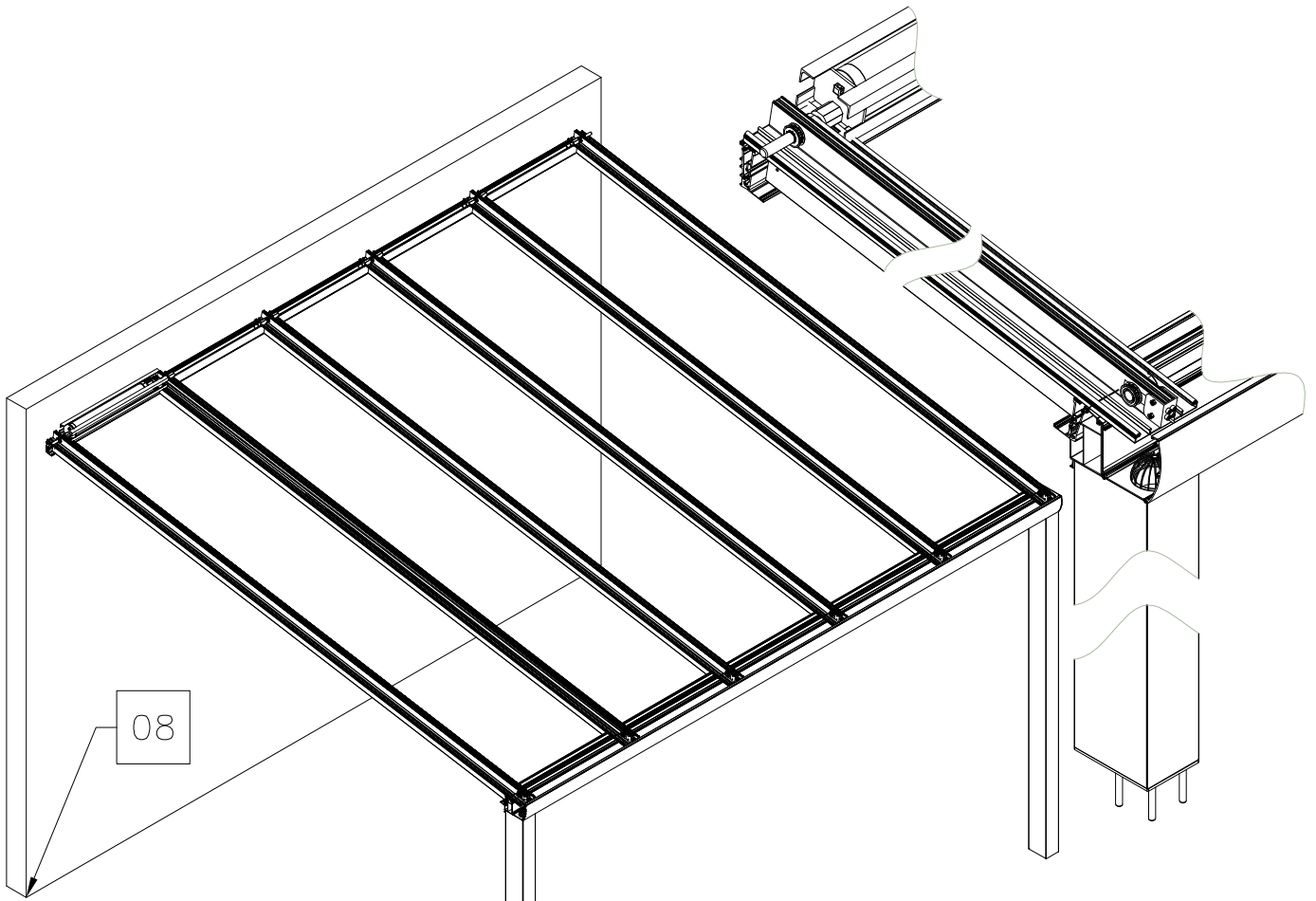
# DYNAMIC

Retractable Glass Roof System

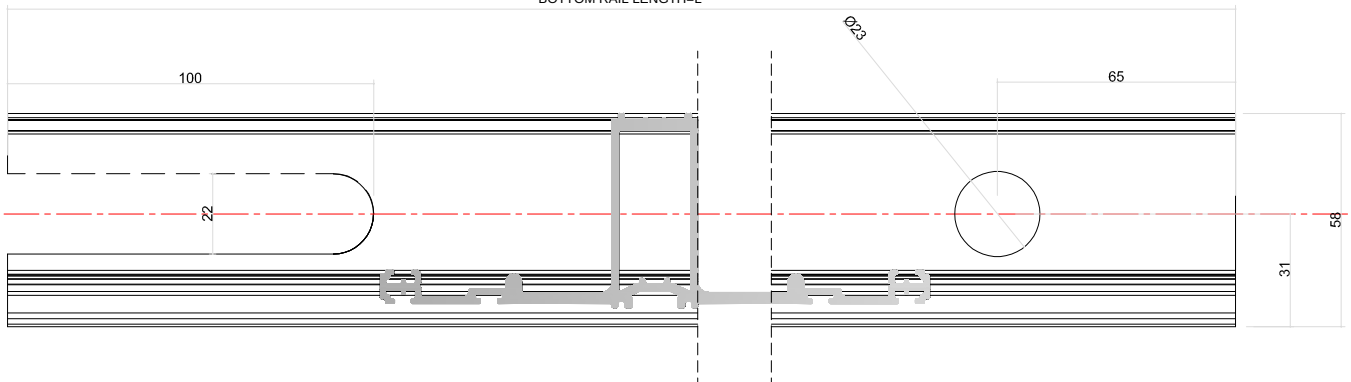


# DYNAMIC

Retractable Glass Roof System



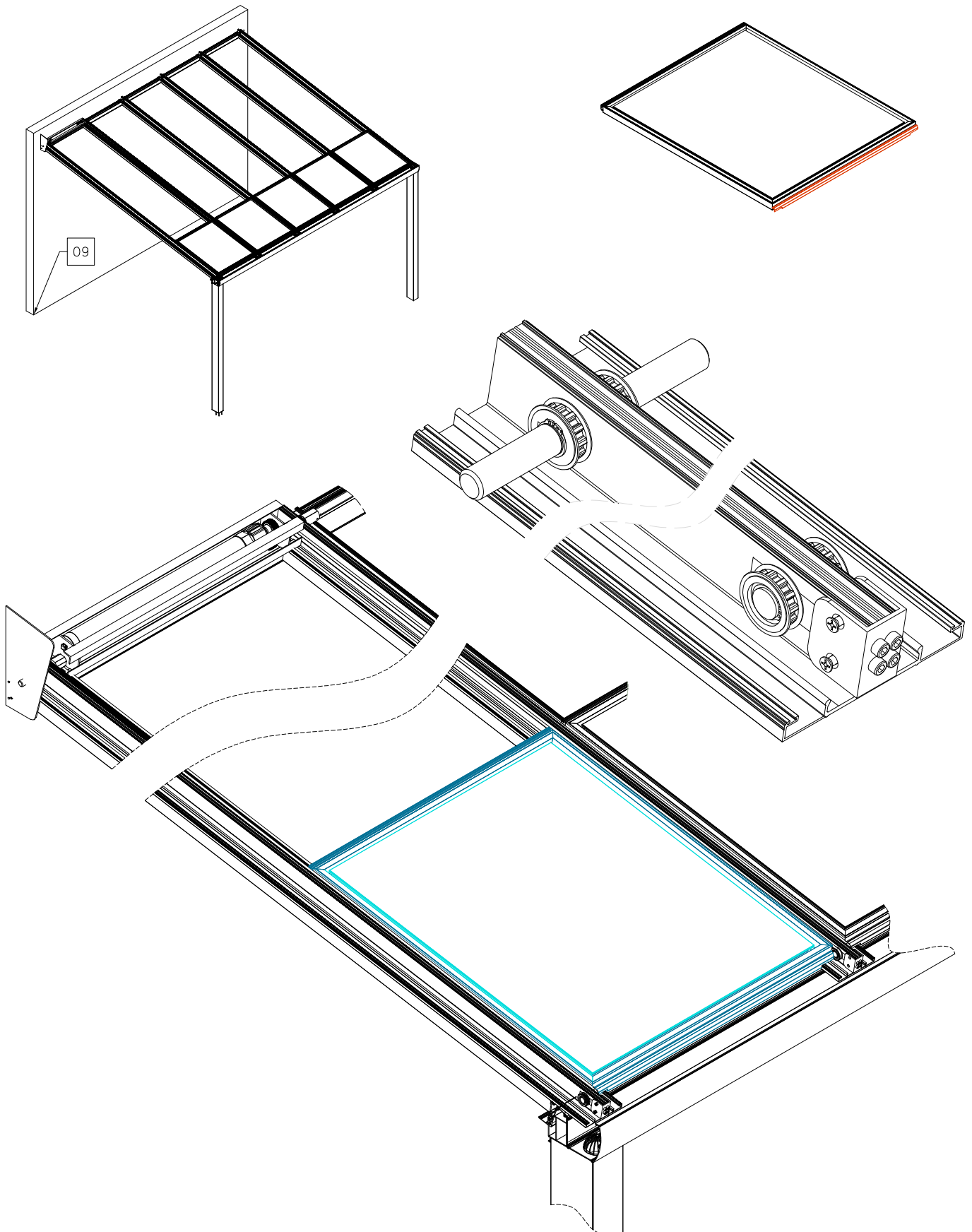
BOTTOM RAIL LENGTH=L

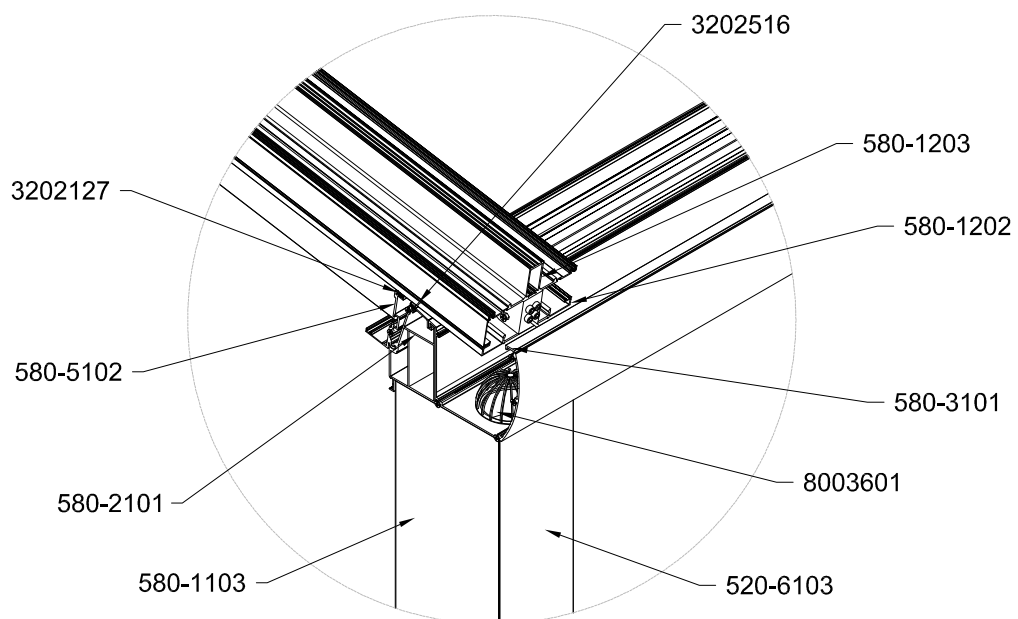
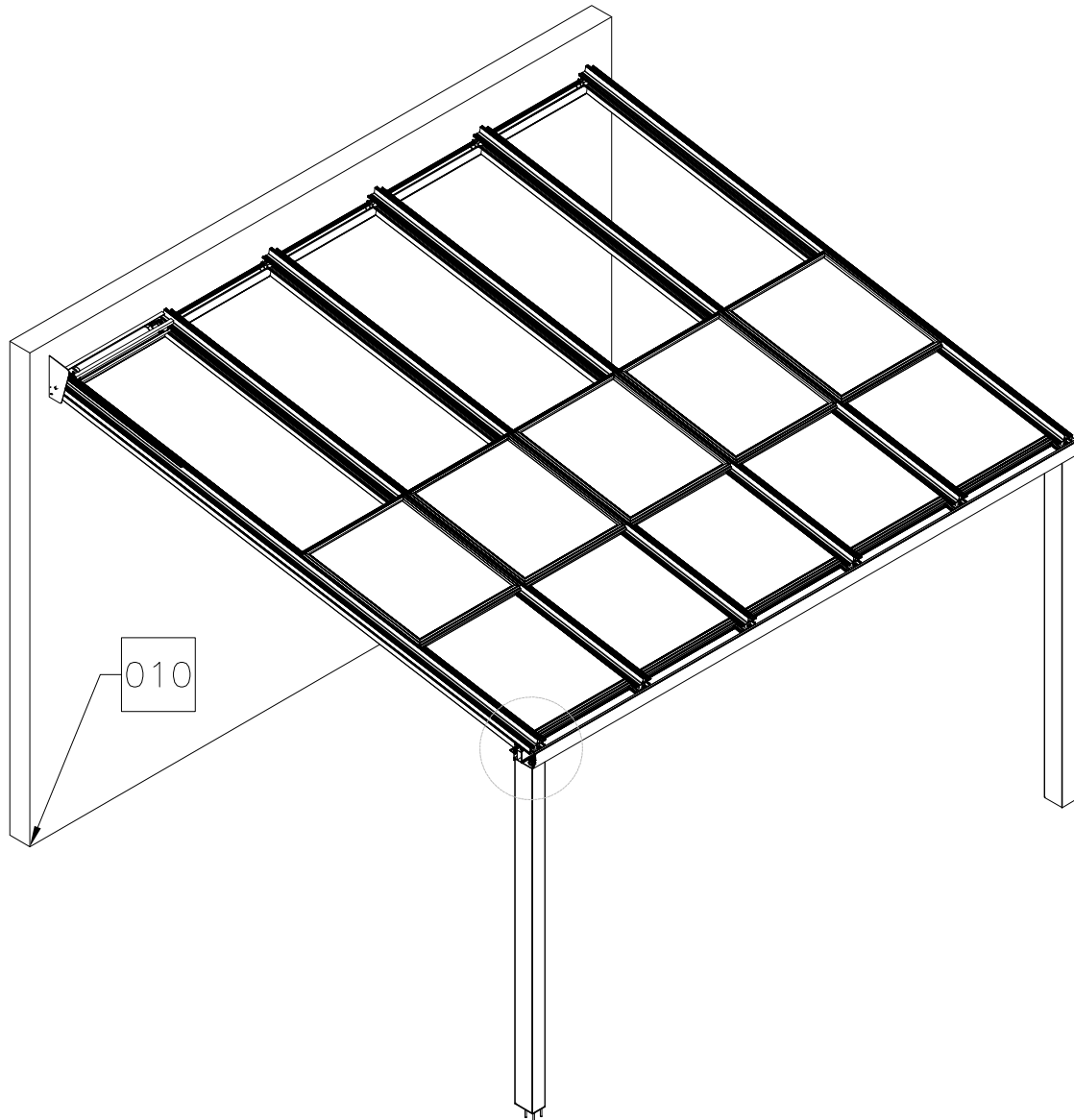




# DYNAMIC

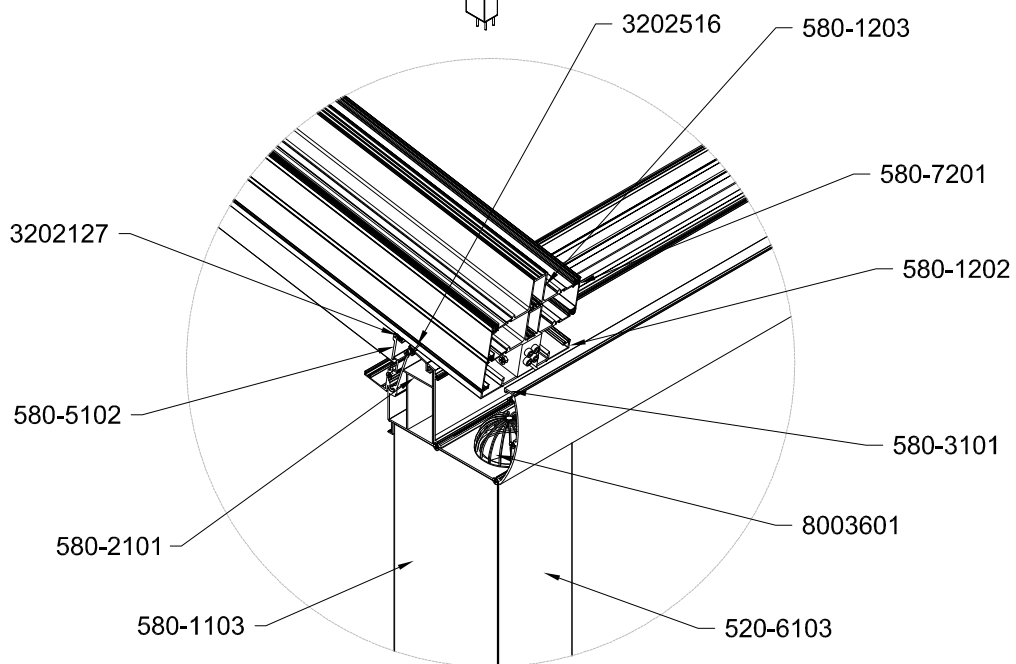
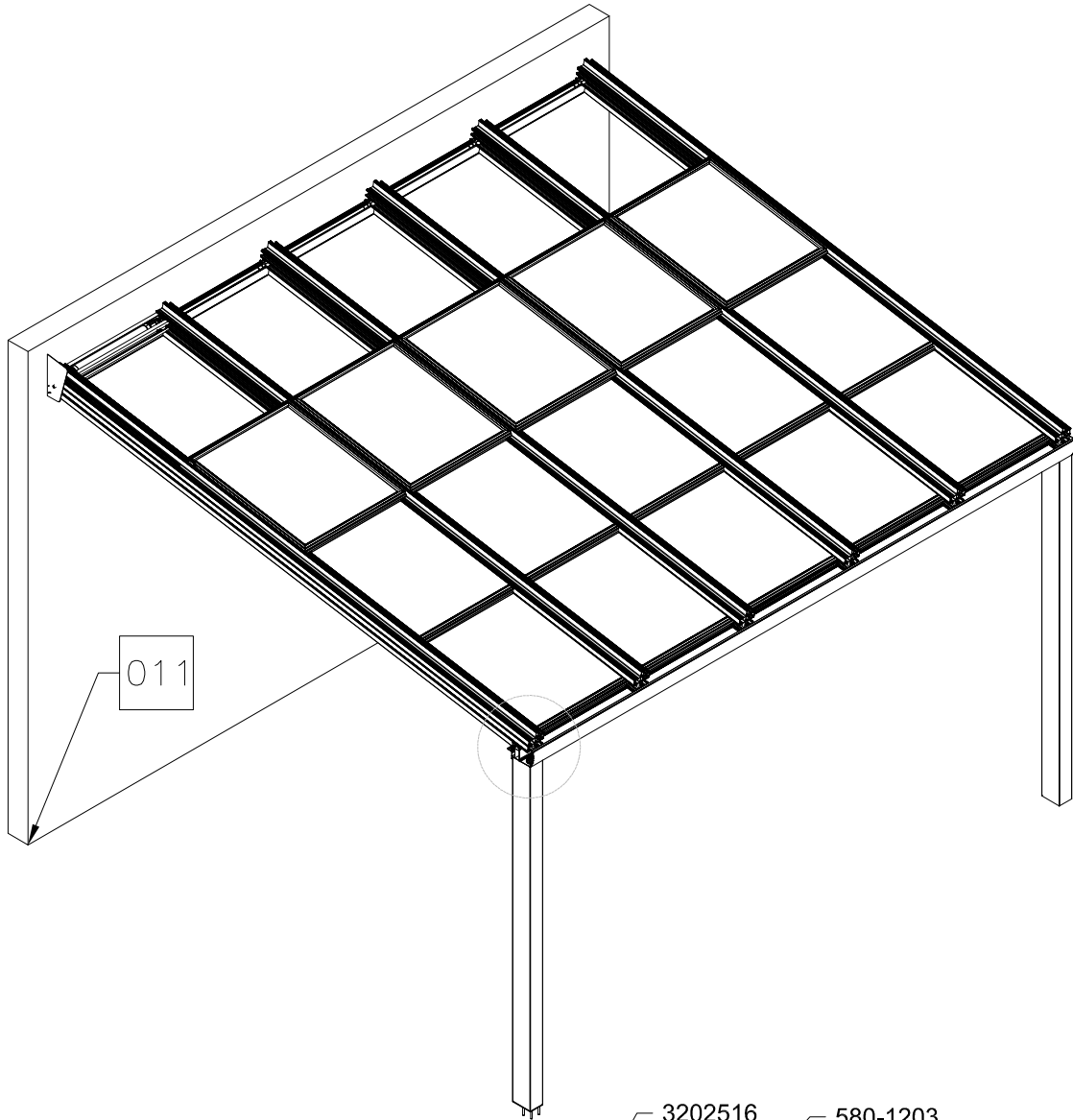
Retractable Glass Roof System

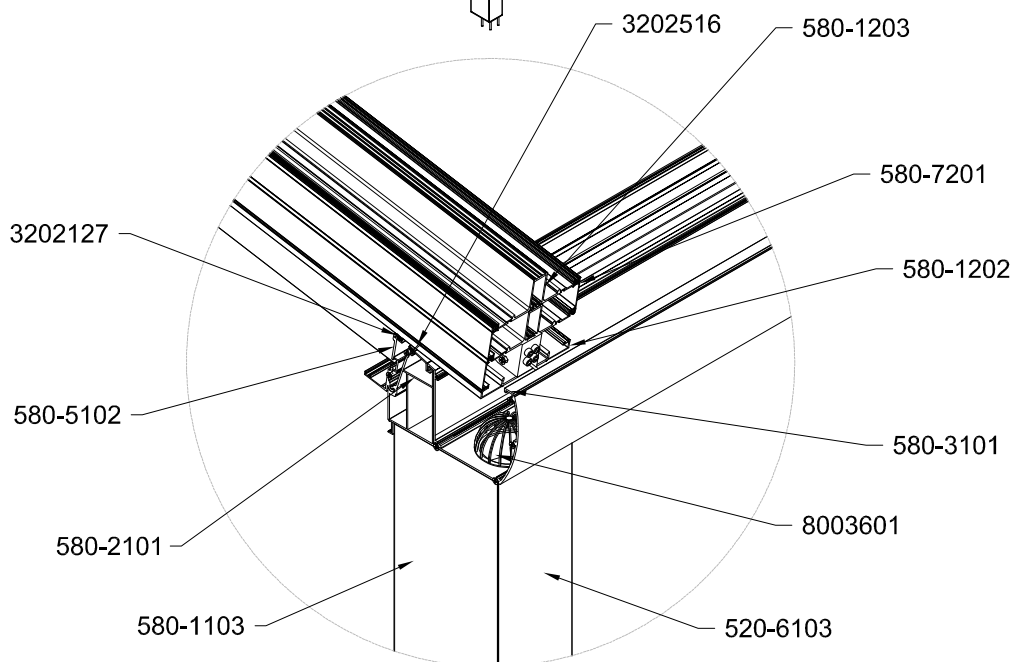
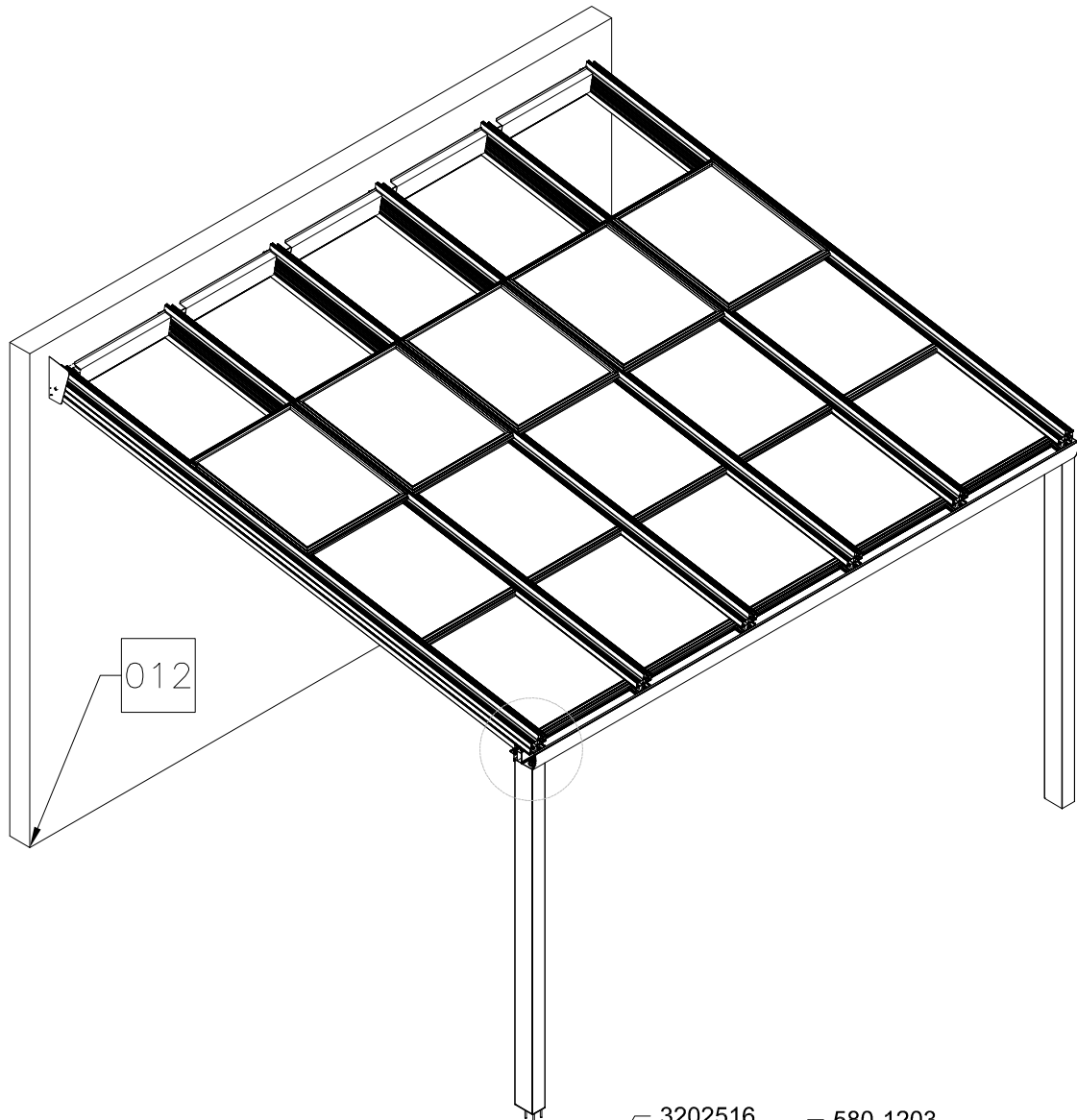




# DYNAMIC

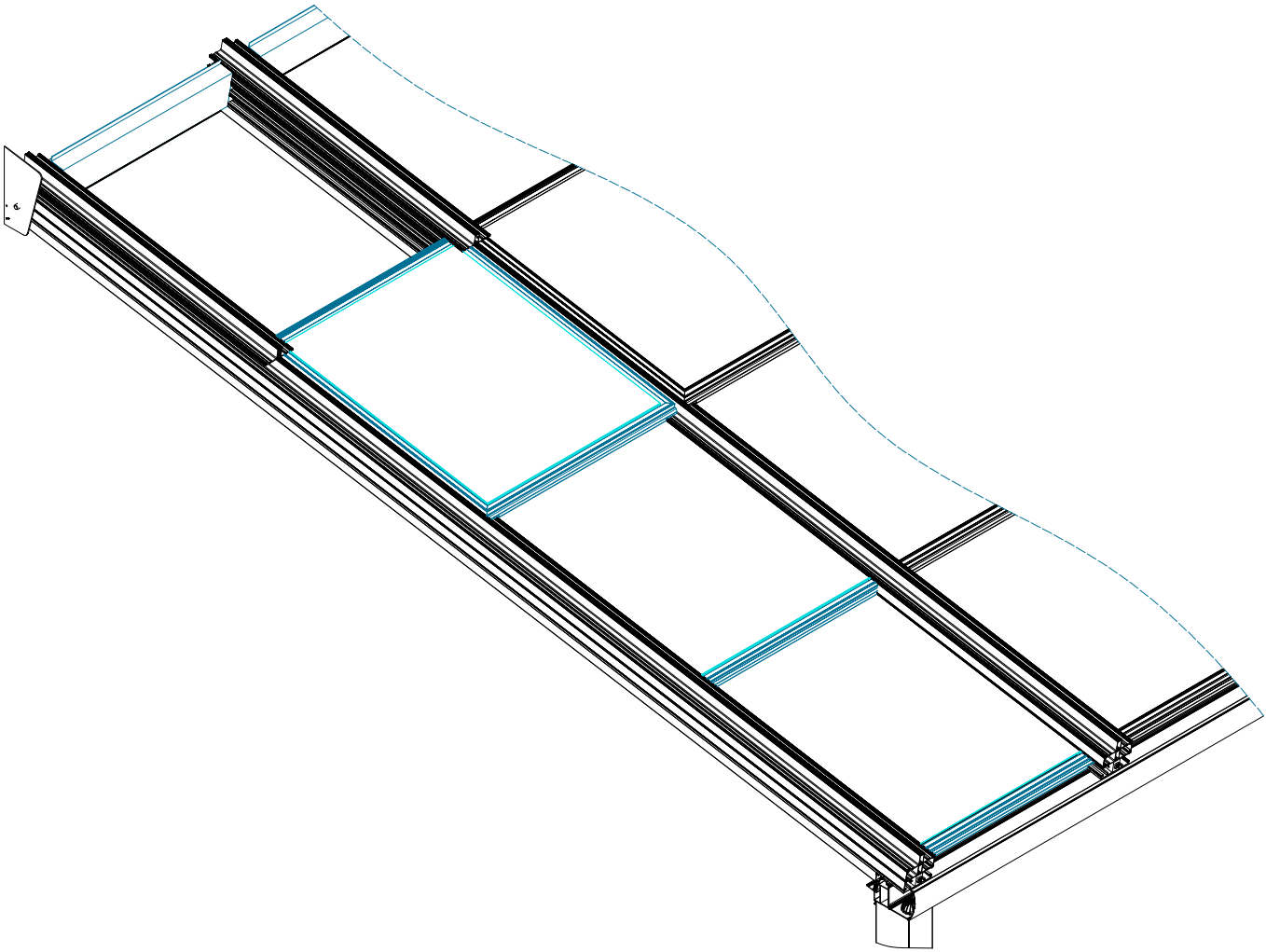
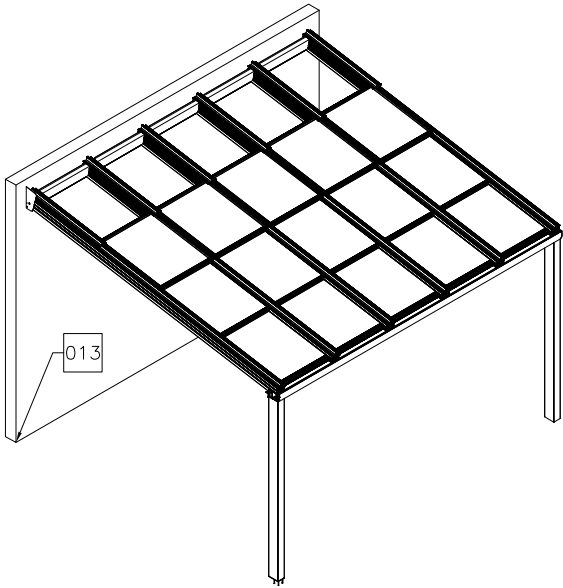
Retractable Glass Roof System

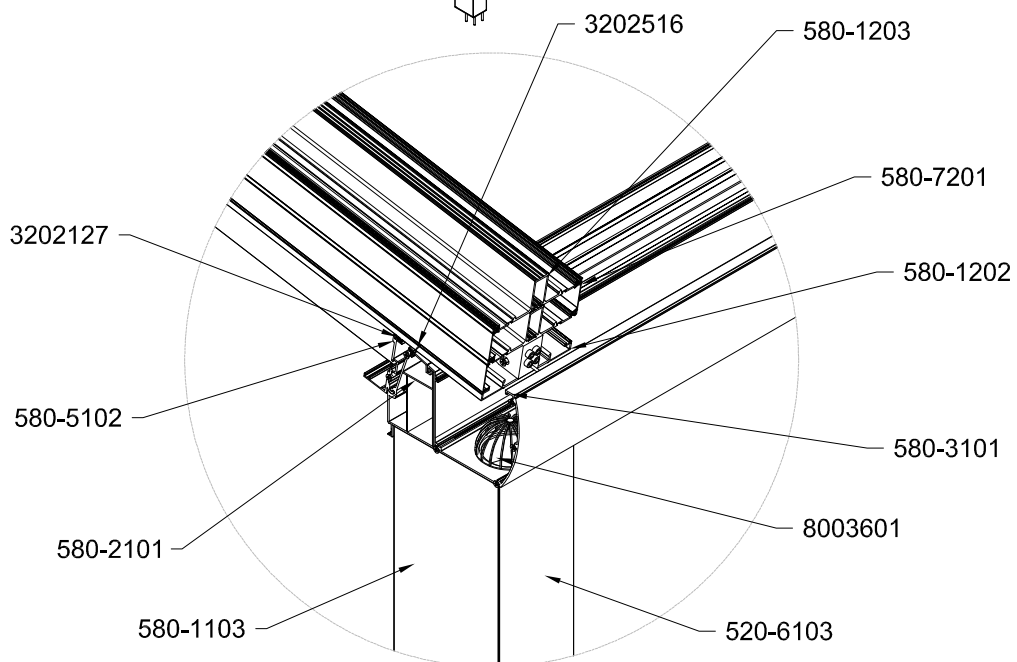
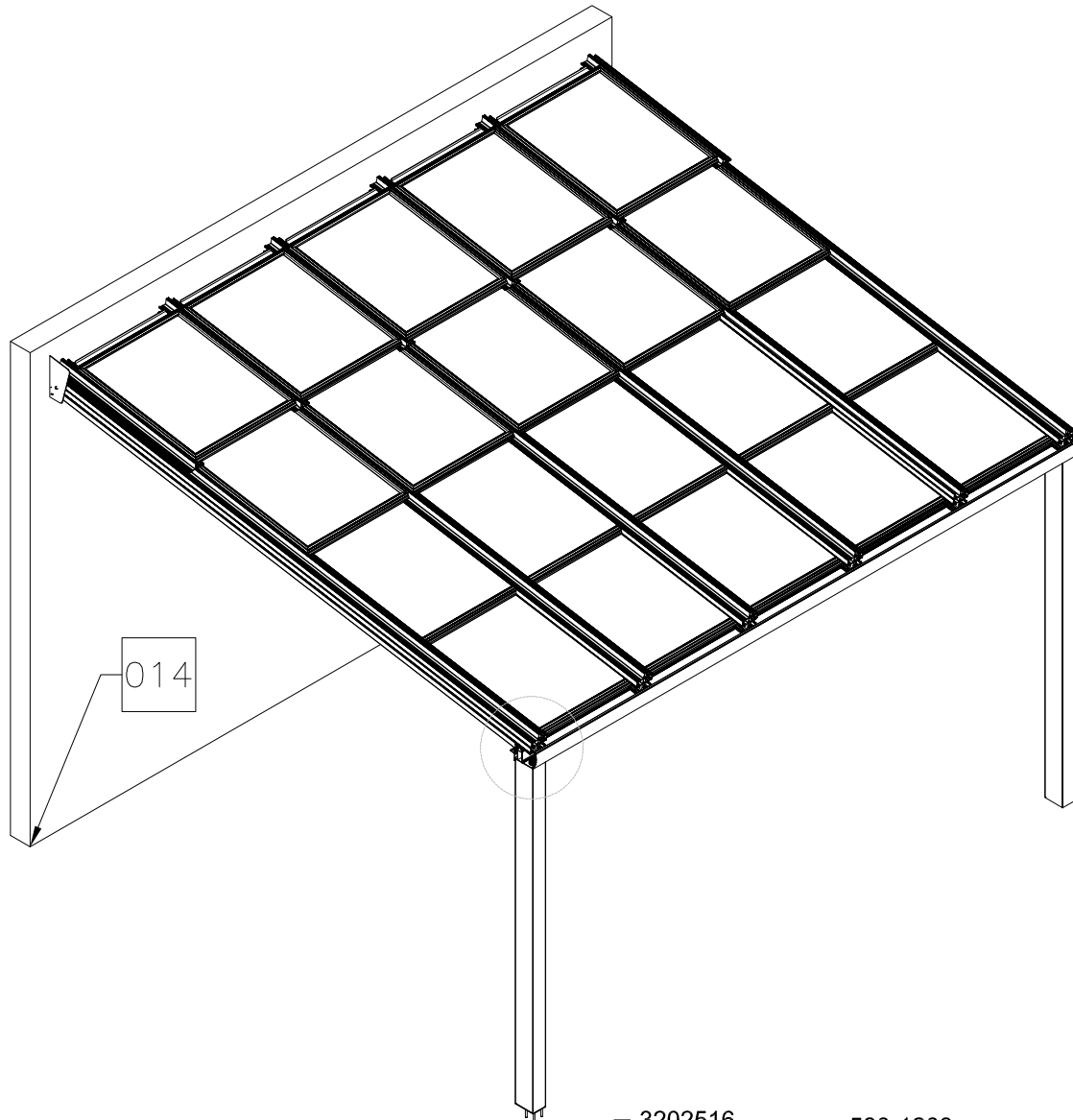




# DYNAMIC

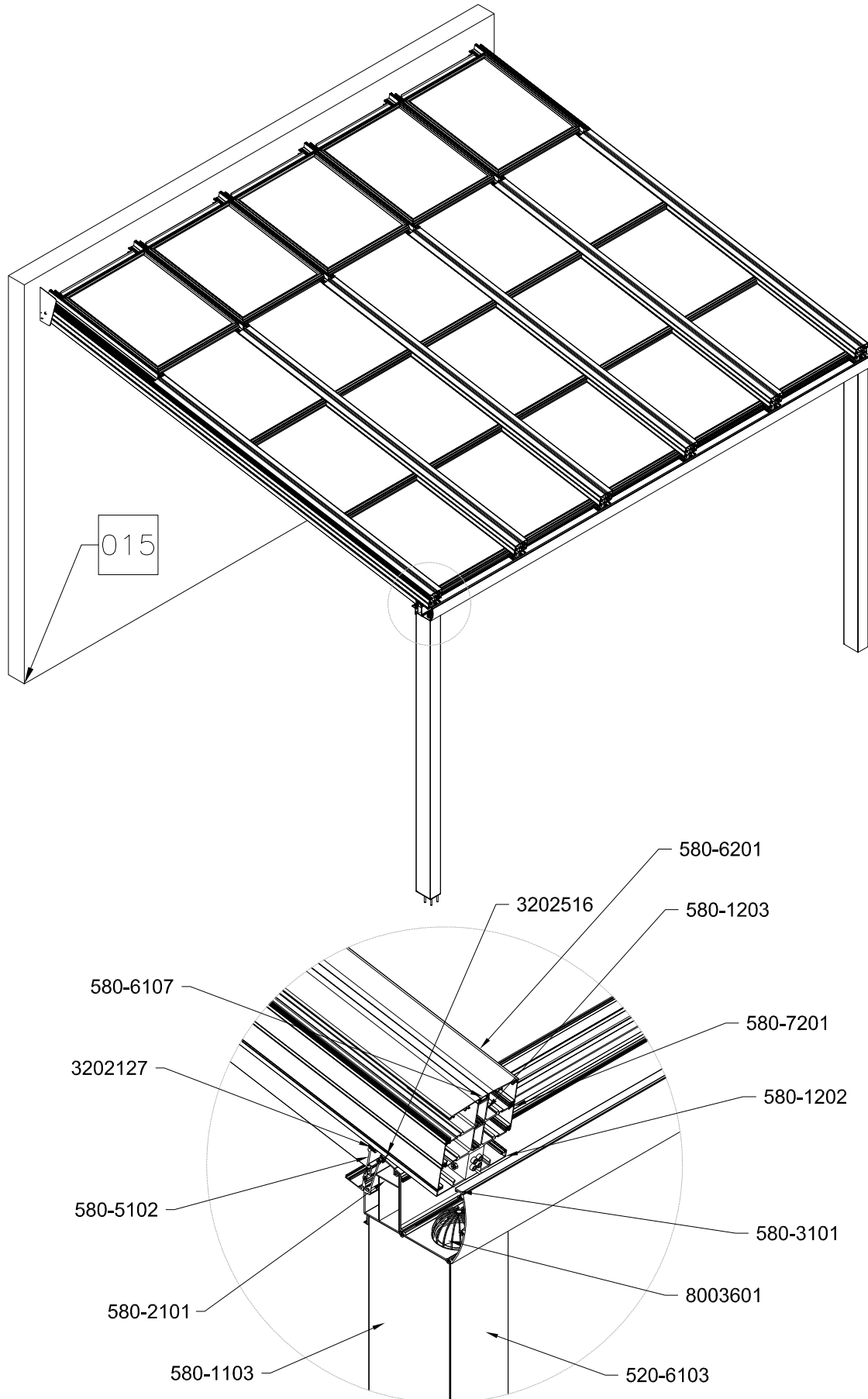
Retractable Glass Roof System





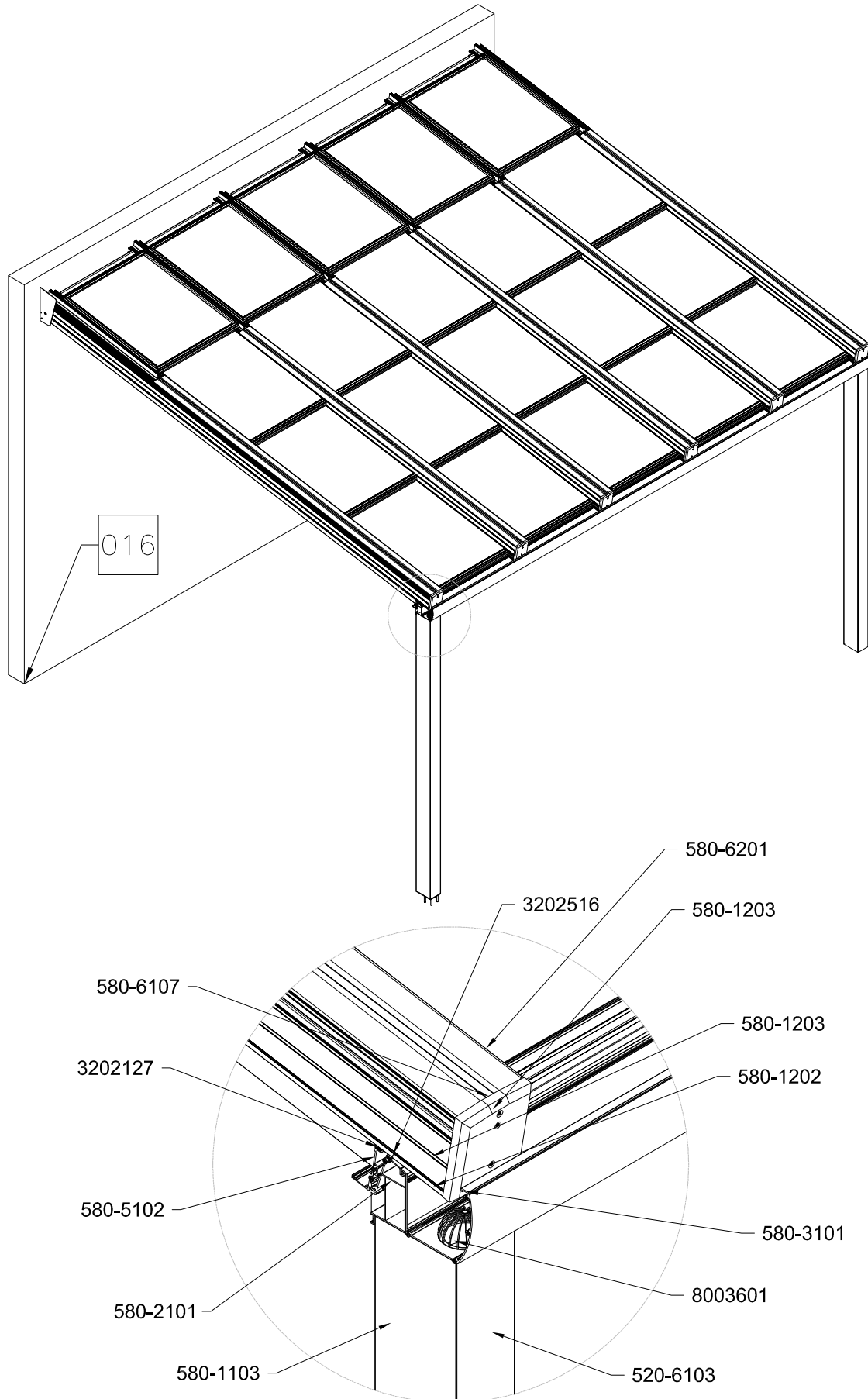
# DYNAMIC

Retractable Glass Roof System

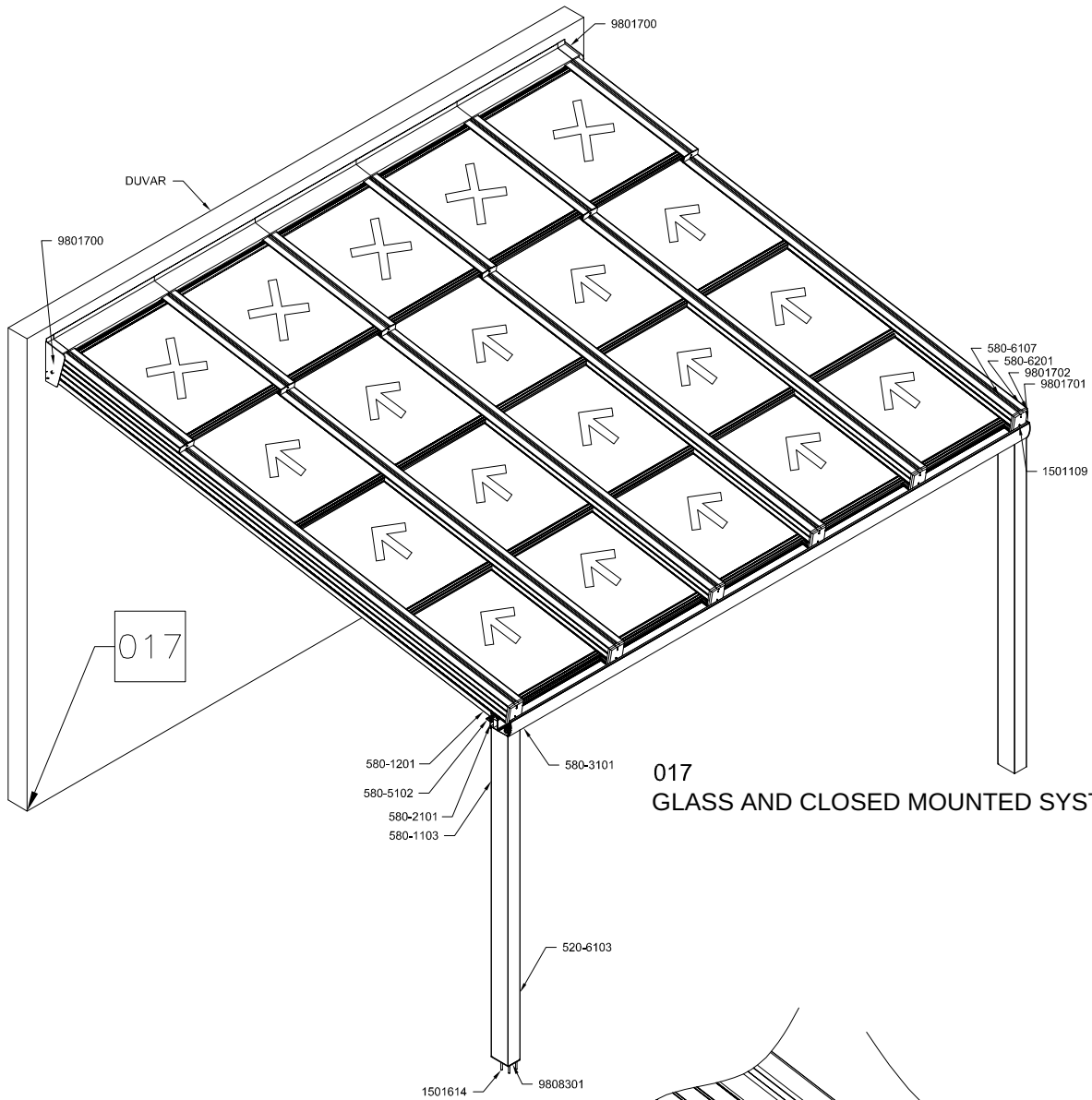


# DYNAMIC

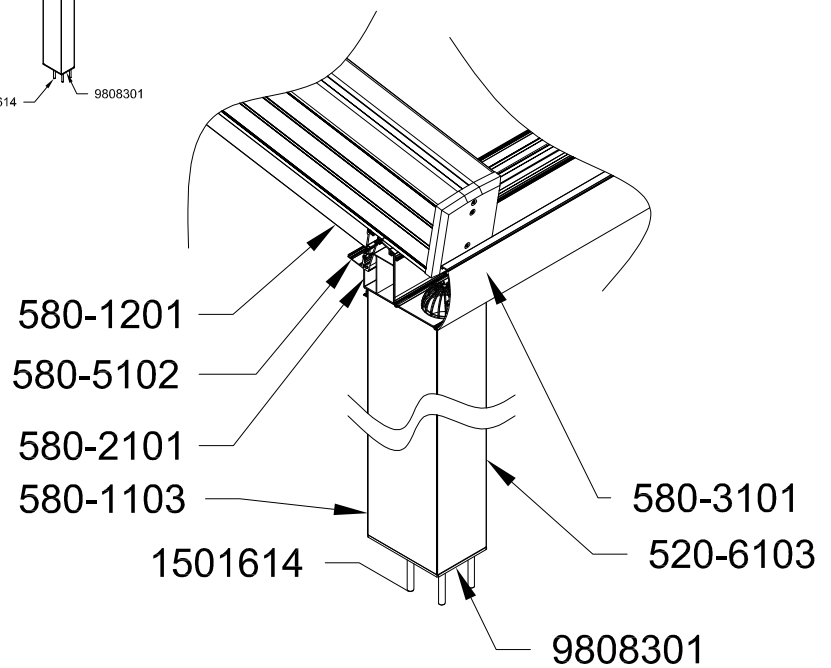
Retractable Glass Roof System

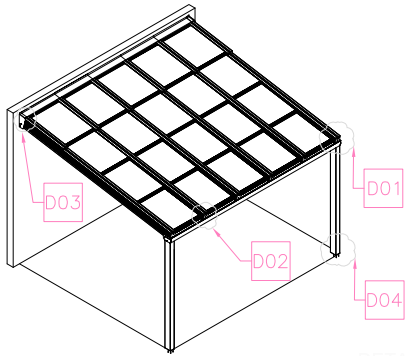




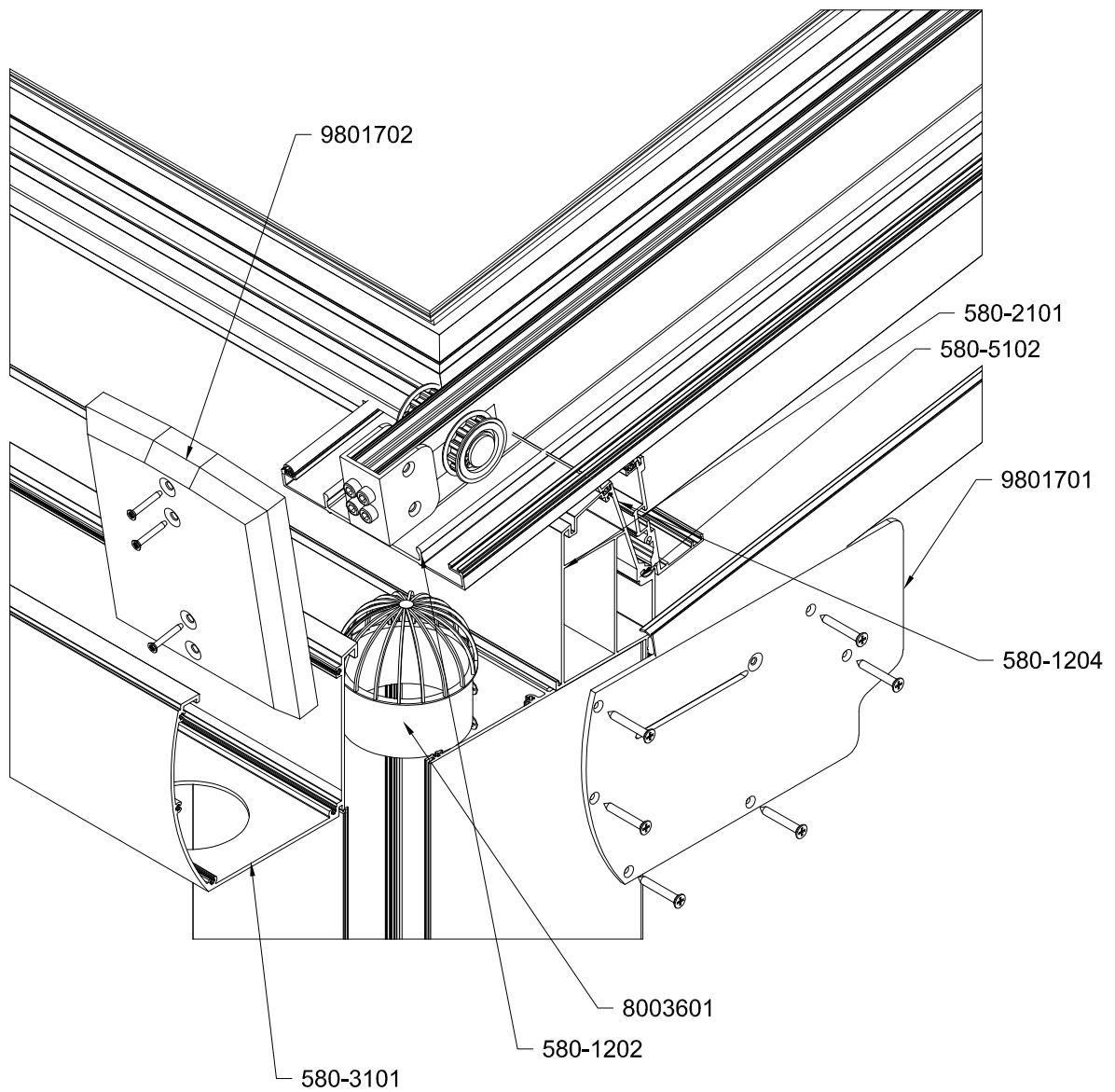


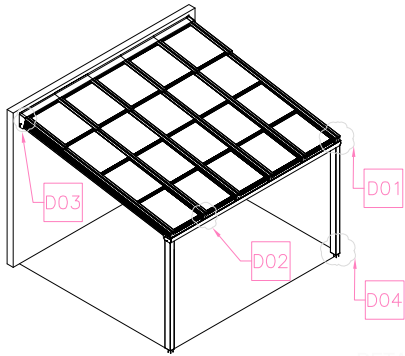
017  
GLASS AND CLOSED MOUNTED SYSTEM



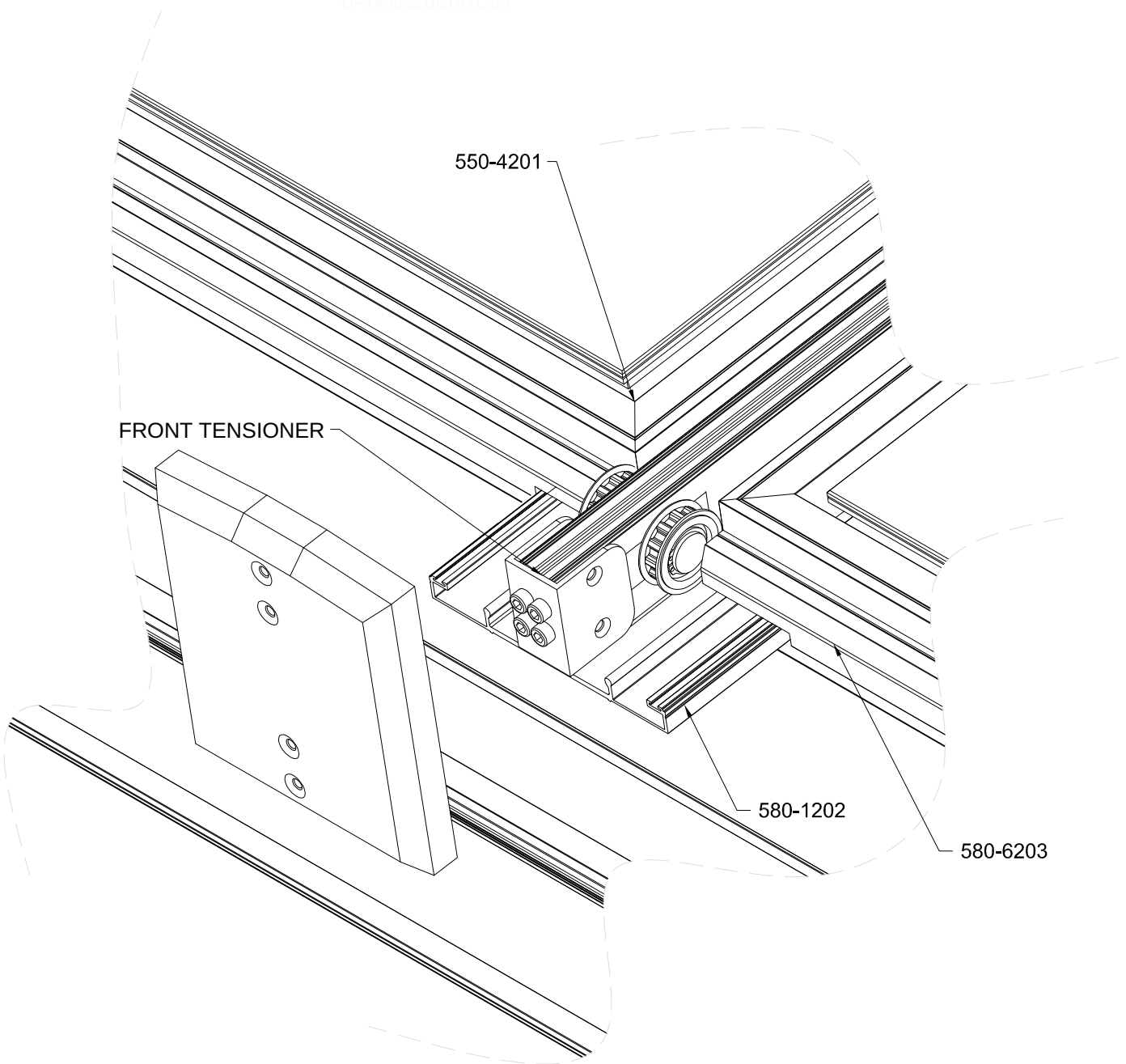


DETAY 01  
SAG KOSE DETAYLARI



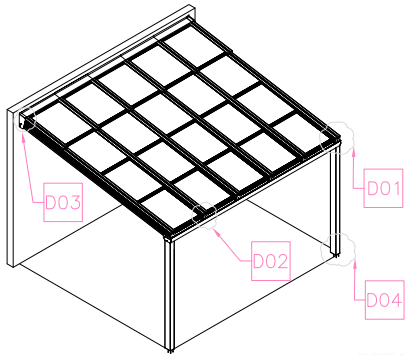


DETAY 02  
ORTA AKS DETAYLARI

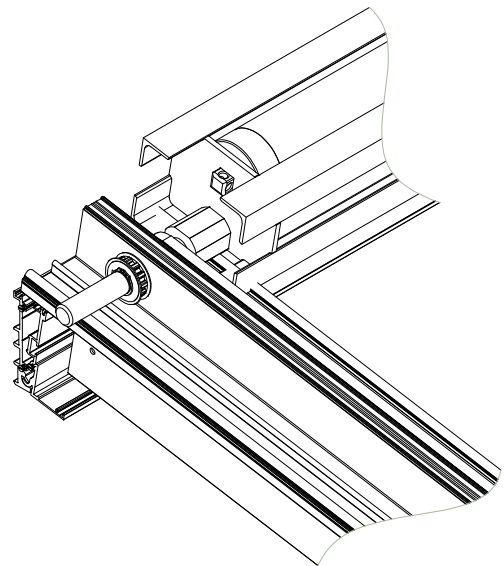
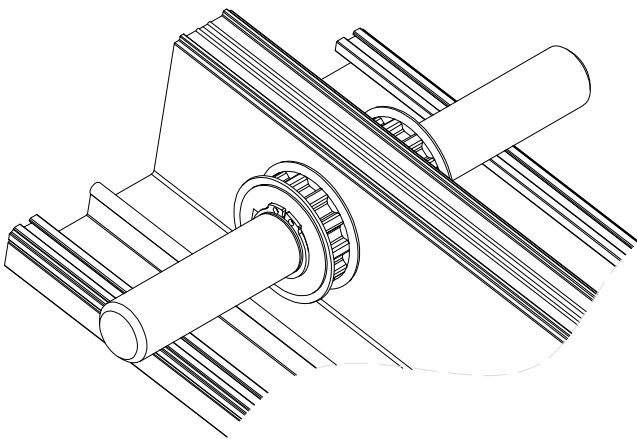
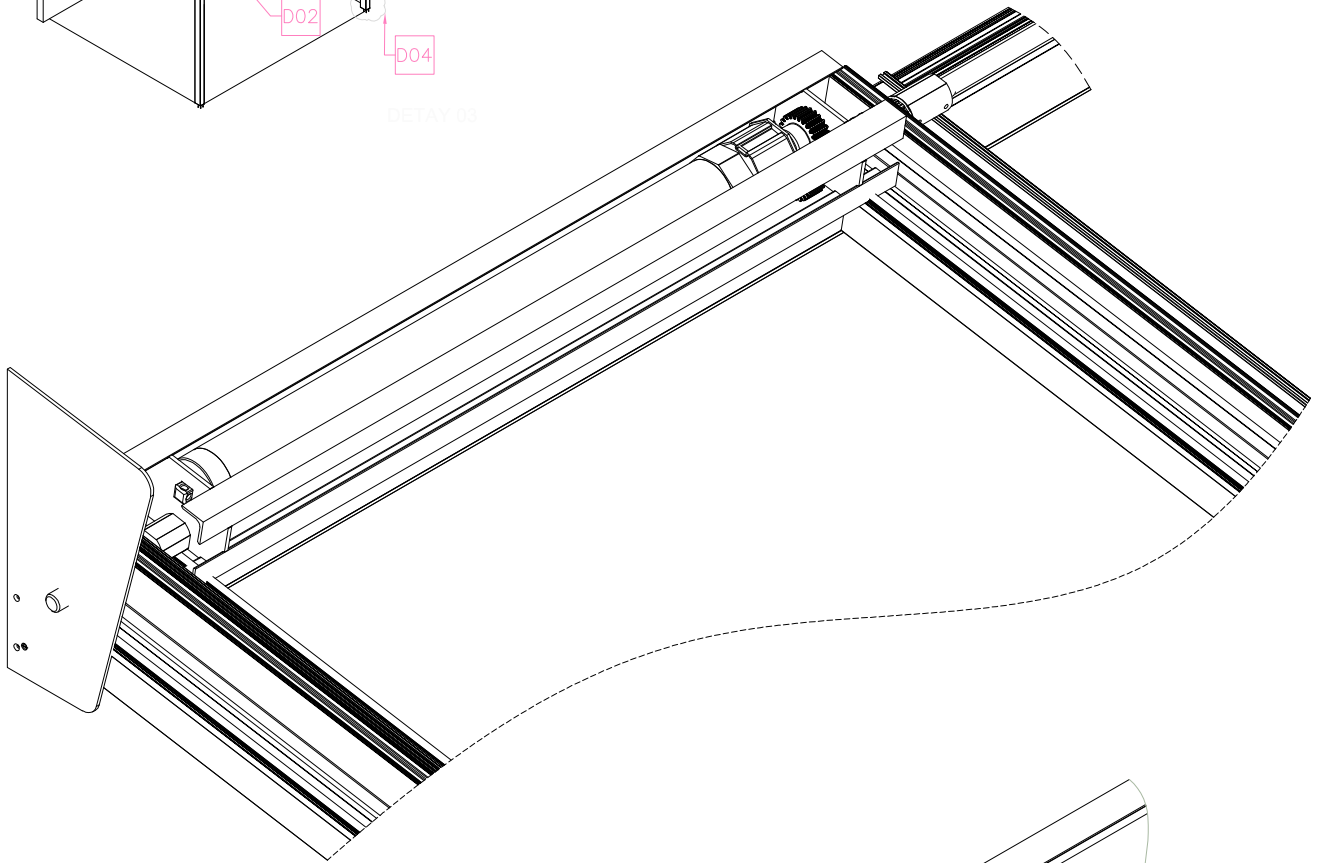


# DYNAMIC

Retractable Glass Roof System

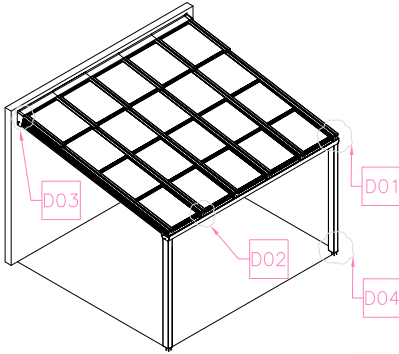


DETAILS

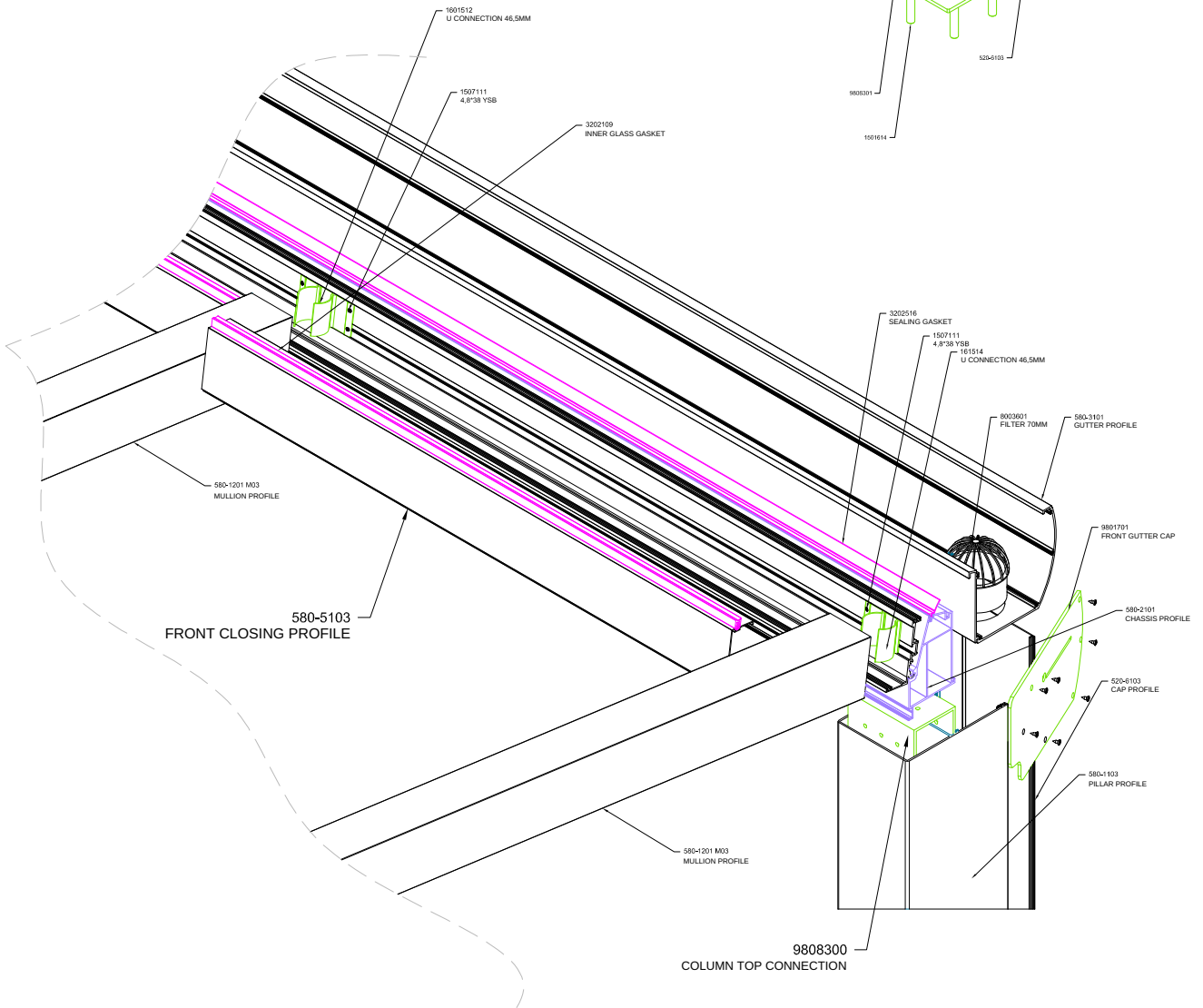
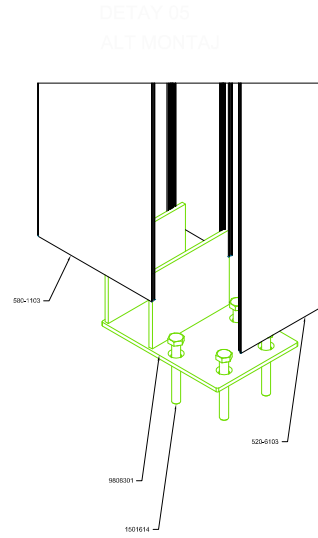


# DYNAMIC

Retractable Glass Roof System

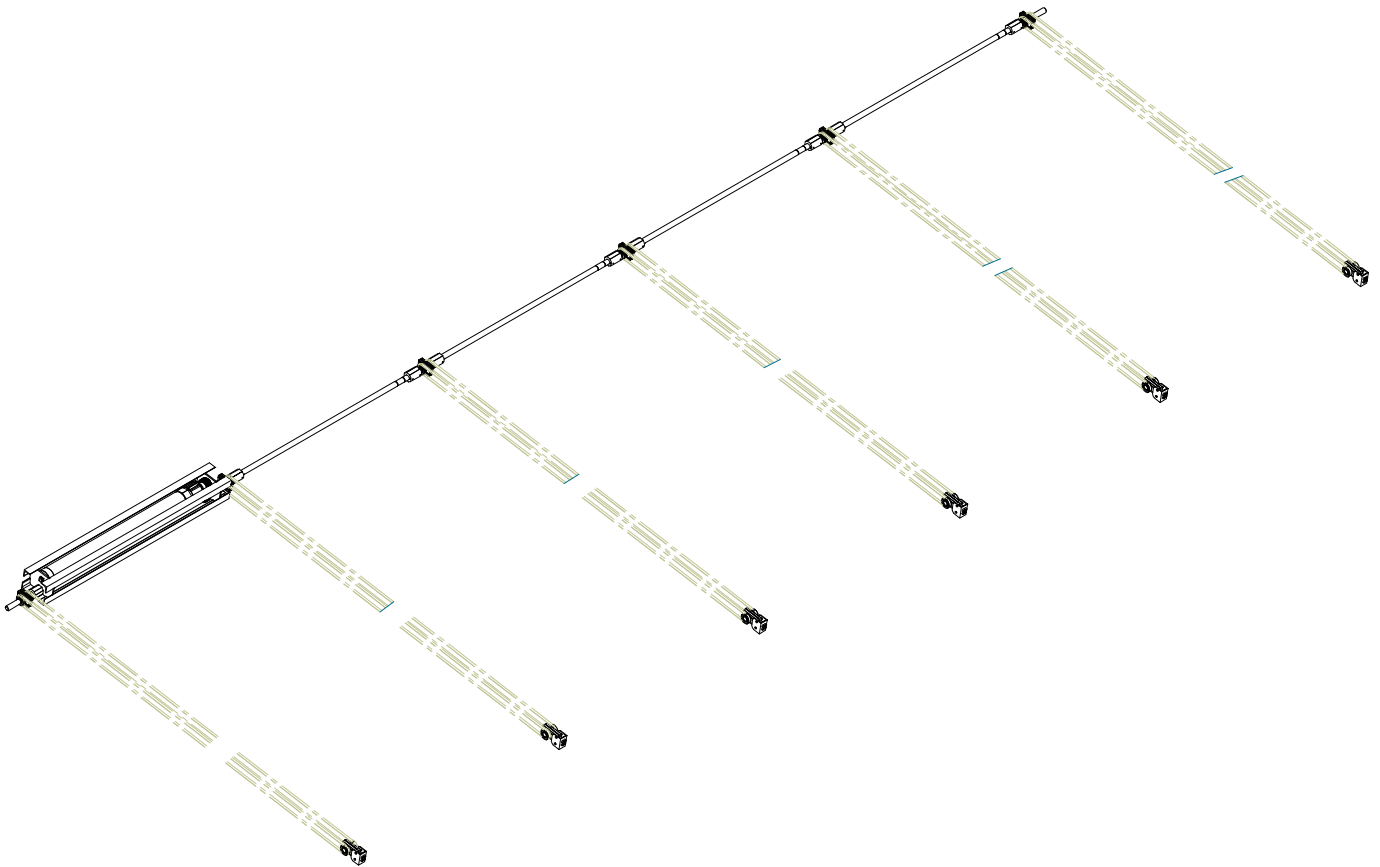
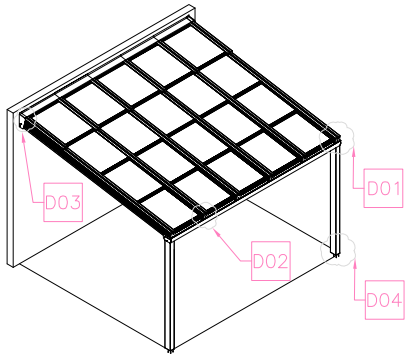


DETAIL 04  
ALT MONTAJ



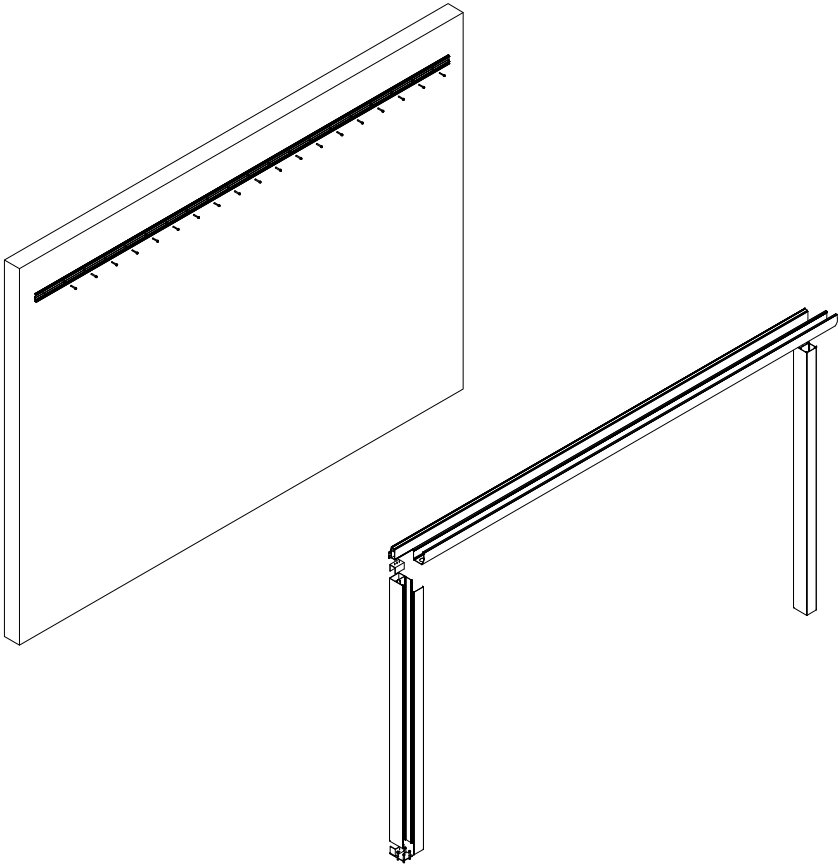
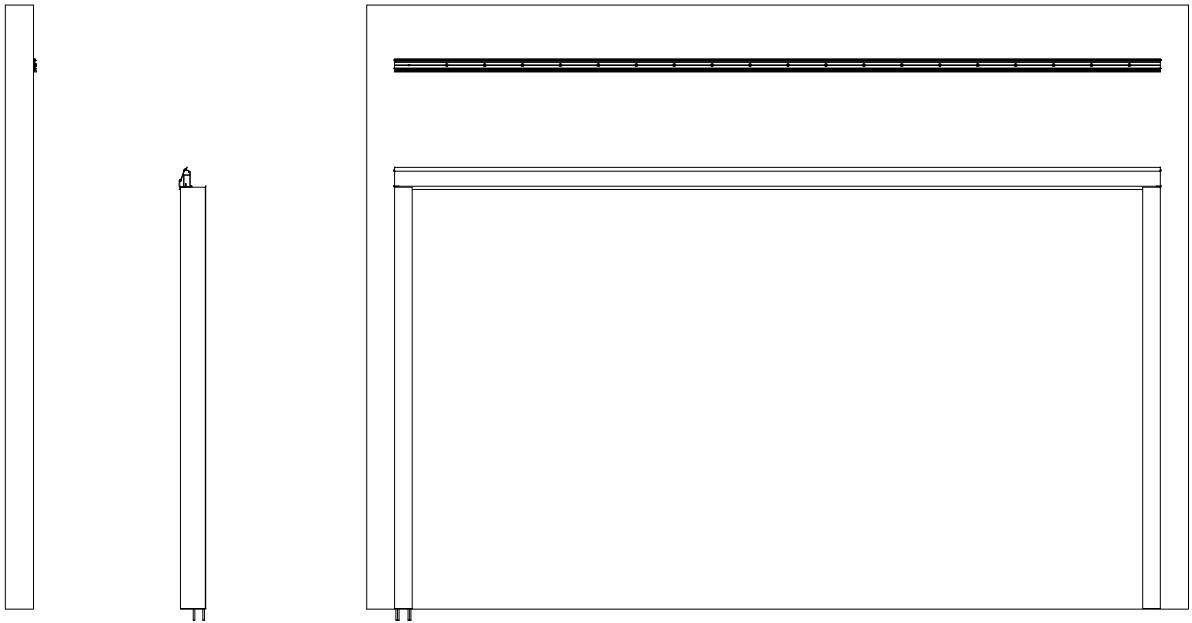
# DYNAMIC

Retractable Glass Roof System



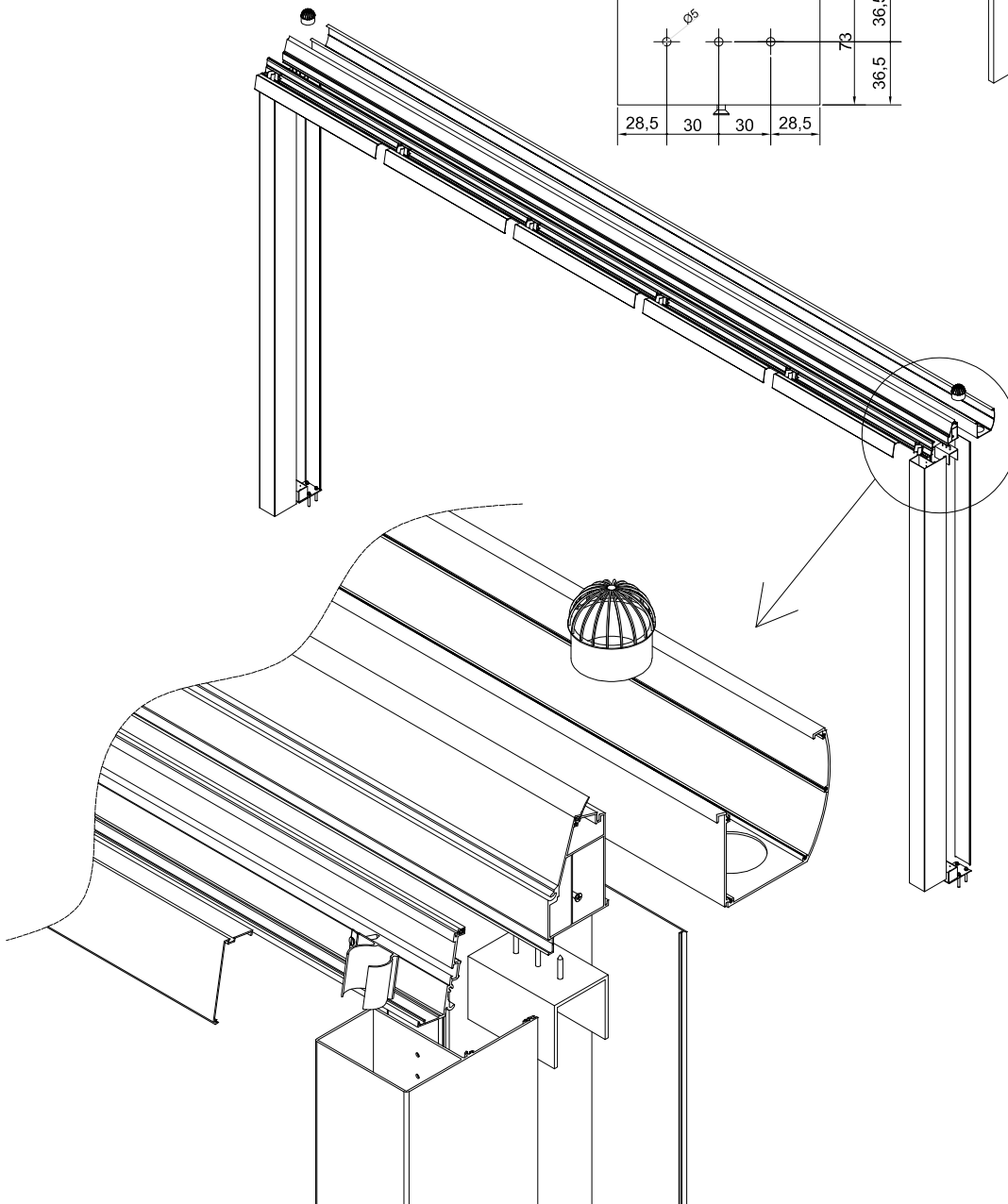
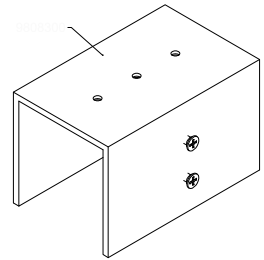
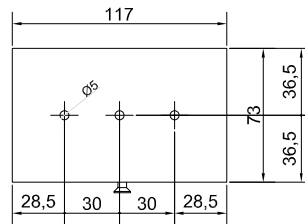
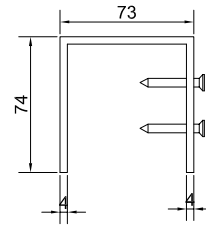
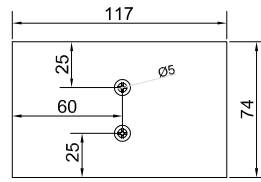
# DYNAMIC

Retractable Glass Roof System



# DYNAMIC

Retractable Glass Roof System





# DYNAMIC

Retractable Glass Roof System

